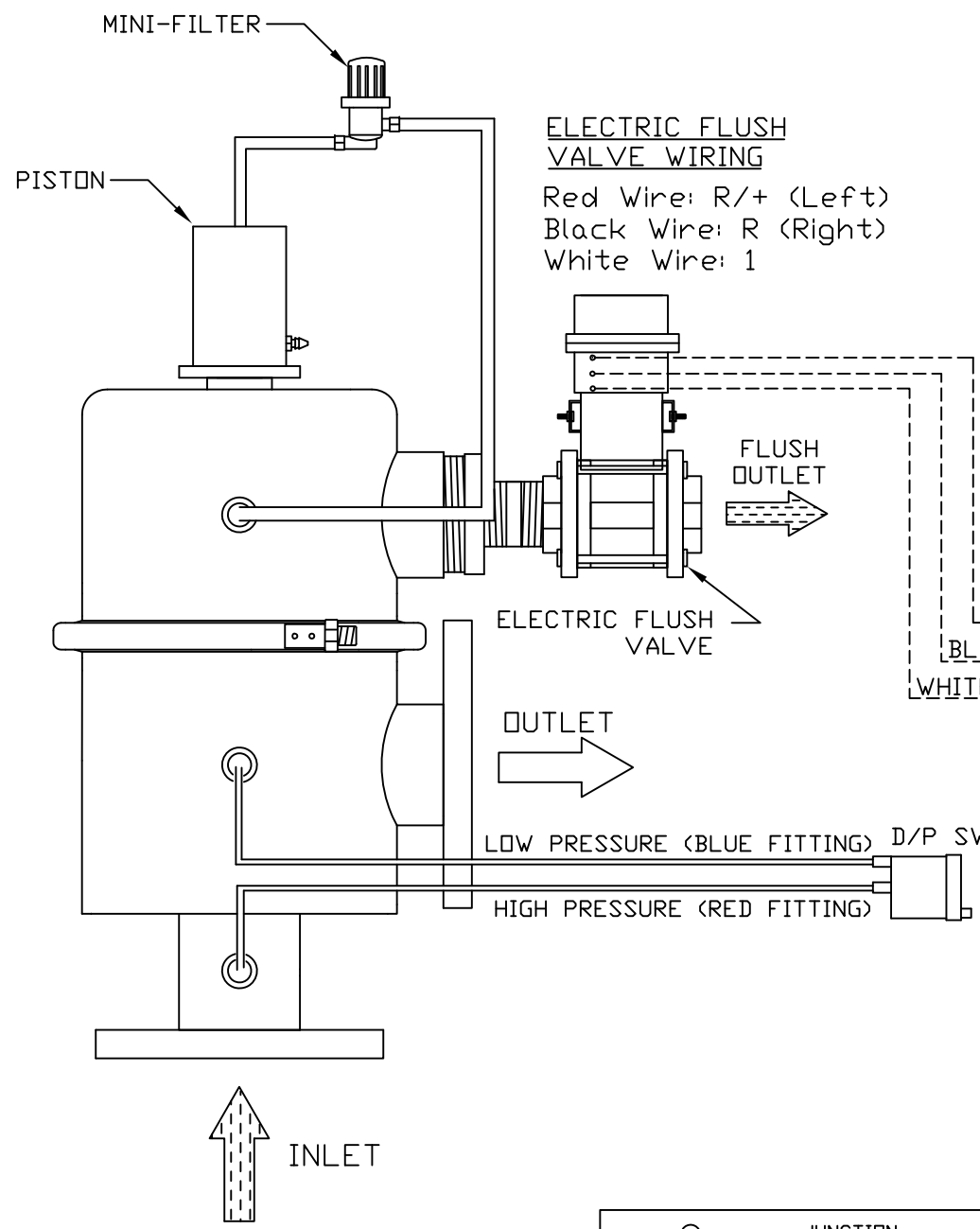
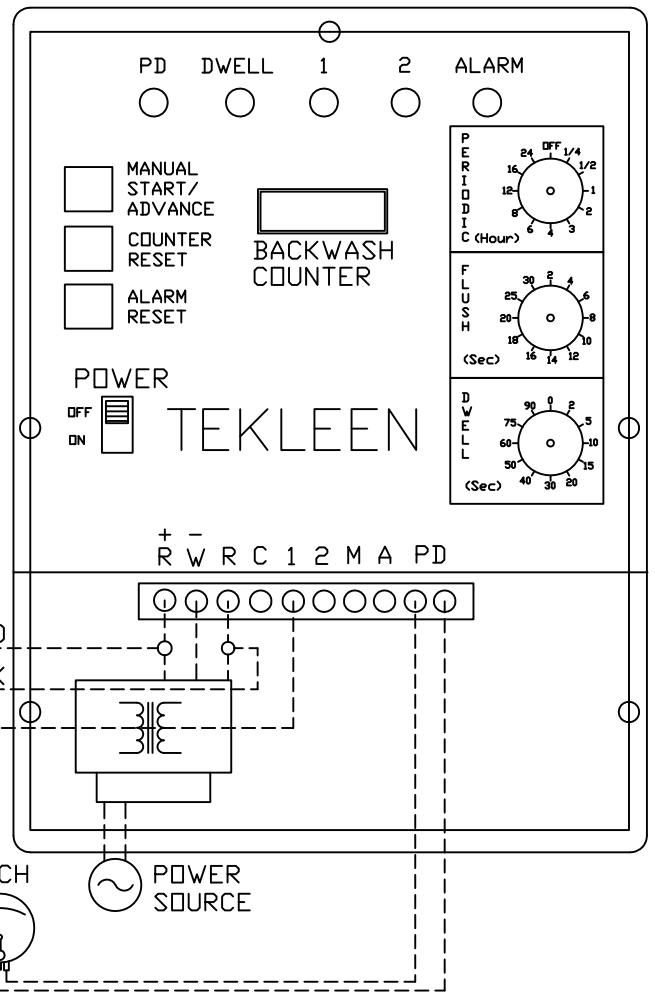


REVISIONS				
REV	ZONE	DESCRIPTION	DATE	APPROVED

# GB6 ELECTRIC CONTROLLER



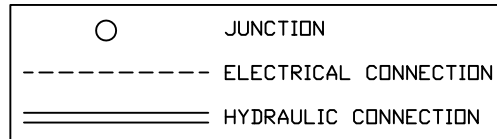
ELECTRIC FLUSH VALVE WIRING  
 Red Wire: R/+ (Left)  
 Black Wire: R (Right)  
 White Wire: 1



UNLESS OTHERWISE SPECIFIED  
 DIMENSIONS ARE IN INCHES  
 TOLERANCES  
 DECIMALS ANGULAR  
 .XX ± .05 ± 0.5 DEG.  
 .XXX ± .01

AUTOMATIC FILTERS, INC.  
 2672 S. LA CIENEGA BLVD.  
 LOS ANGELES, CA 90034  
 (310) 839-2828 FAX (310) 839-6878

TITLE  
 MTF FLANGED  
 FILTERSETUP WITH GB6  
 ELECTRIC CONTROLLER &  
 ELECTRIC FLUSH VALVE



DRAWN	DATE
S. PERKINSON	09/19/12
CHECKED	
DESIGN	

SIZE	DWG. NO.	REV
A	WIRE-MTFGB6-EFV-LAY-10	N/A
NOT TO SCALE		SHEET 1 OF 1