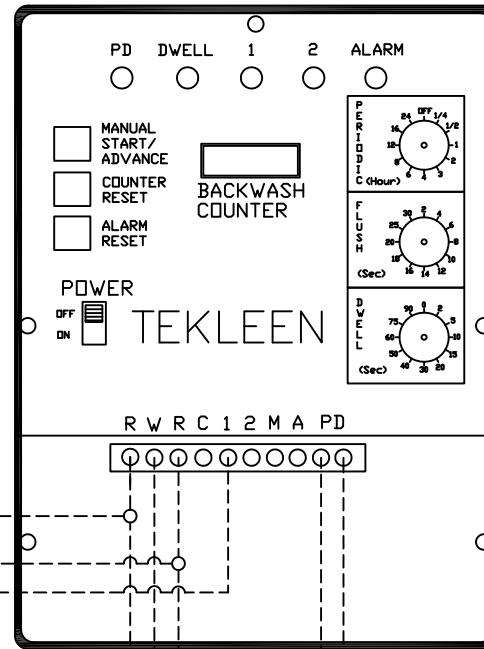
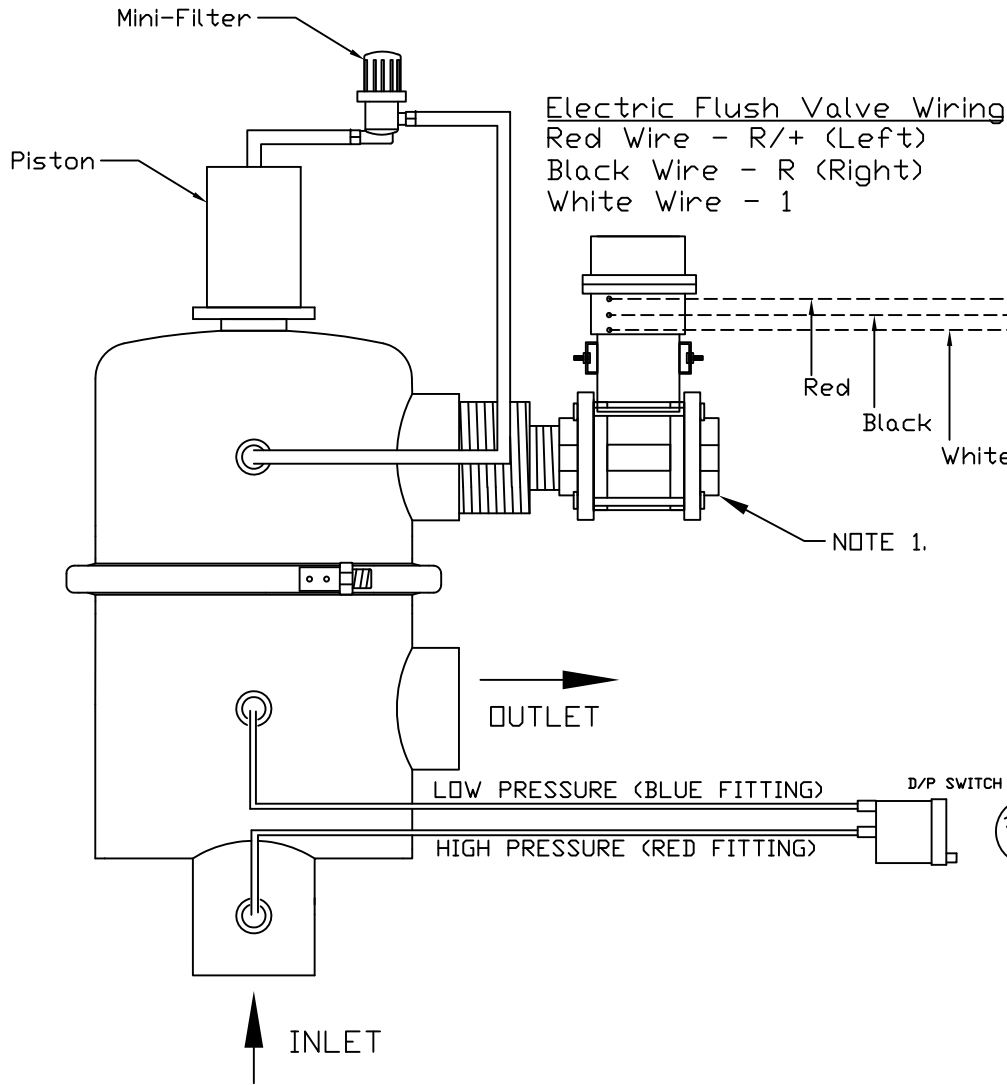
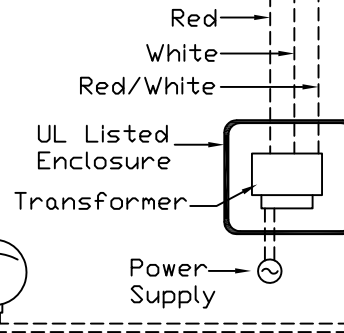


REVISIONS				
REV	ZONE	DESCRIPTION	DATE	APPROVED
1	1A	ADDED NOTE 1 REGARDING UNION.	09/24/13	S.P.



GB6
ELECTRIC
CONTROLLER



UNLESS OTHERWISE SPECIFIED DIMENSIONS ARE IN INCHES TOLERANCES DECIMALS ANGULAR .XX ± .05 ± 0.5 DEG. .XXX ± .01		AUTOMATIC FILTERS, INC. 2672 S. LA CIENEGA BLVD. LOS ANGELES, CA 90034 (310) 839-2828 FAX (310) 839-6878		
		TITLE MTF Setup with Electric Flush Valve & GB6-UL Electric Controller		
DRAWN	DATE	SIZE	DWG NO.	REV
S. Perkinson	02/16/12	A	WIRE-MTFGB6-EFV-LAY-05	1
CHECKED		NOT TO SCALE		SHEET 1 OF 1
DESIGN				

NOTES:
1. IT IS RECOMMENDED THAT A UNION BE INSTALLED BETWEEN THE FLUSH VALVE AND FLUSH LINE FOR EASE OF MAINTENANCE.