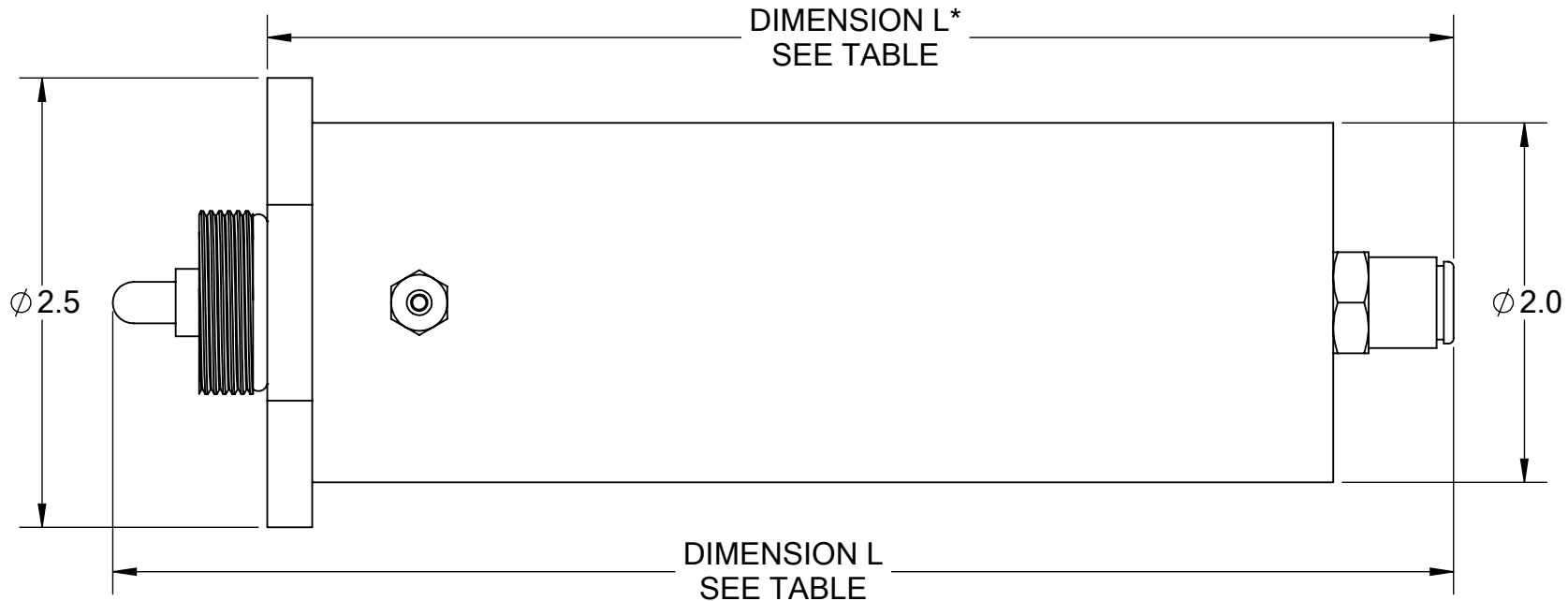
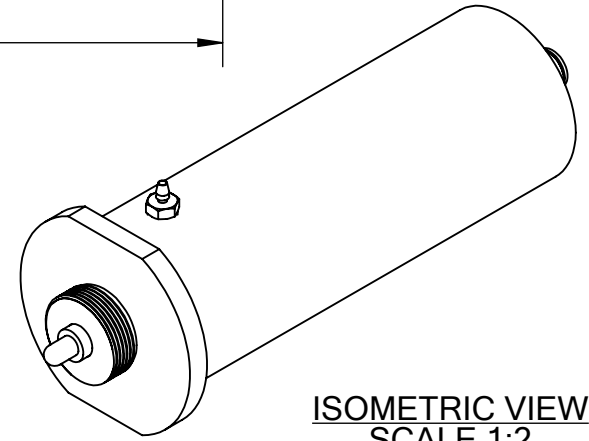


REVISIONS				
REV.	ZONE	DESCRIPTION	DATE	INITIAL



SIDE VIEW
SCALE 1:1



PISTON MODEL	L	L*
MTF1, MTF1.5, MTF2	6.0"	4.9"
MTF2-L, MTF2-XL, MTF3, MTF3-L, MTF4, MTF4-L, MTF 6	7.5"	6.6"
MTF3-XL, MTF4-XL, MTF6-L, MTF8	8.9"	8.1"

TOLERANCES
(UNLESS OTHERWISE SPECIFIED)

FRAC. $\pm 1/16$	ANGLE $\pm 1^\circ$
.X $\pm .1$	
.XX $\pm .05$	
.XXX $\pm .010$	
MATERIAL:	VARIES
DRAWN BY:	R. LAM
DATE:	03/27/18
SCALE: VARIES	SHEET: 1 OF 1

TEKLEEN
Automatic Filters Inc.
2672 S. LA CIENEGA BLVD.
LOS ANGELES, CA 90034
MAIN: (310) 839-2828
FAX: (310) 839-6878

TITLE:
MTF PISTON OVERALL
DIMENSIONS

DRAWING NUMBER MTF-PISTON-ASSEMBLY-OAL	REV N/A
--	-------------------