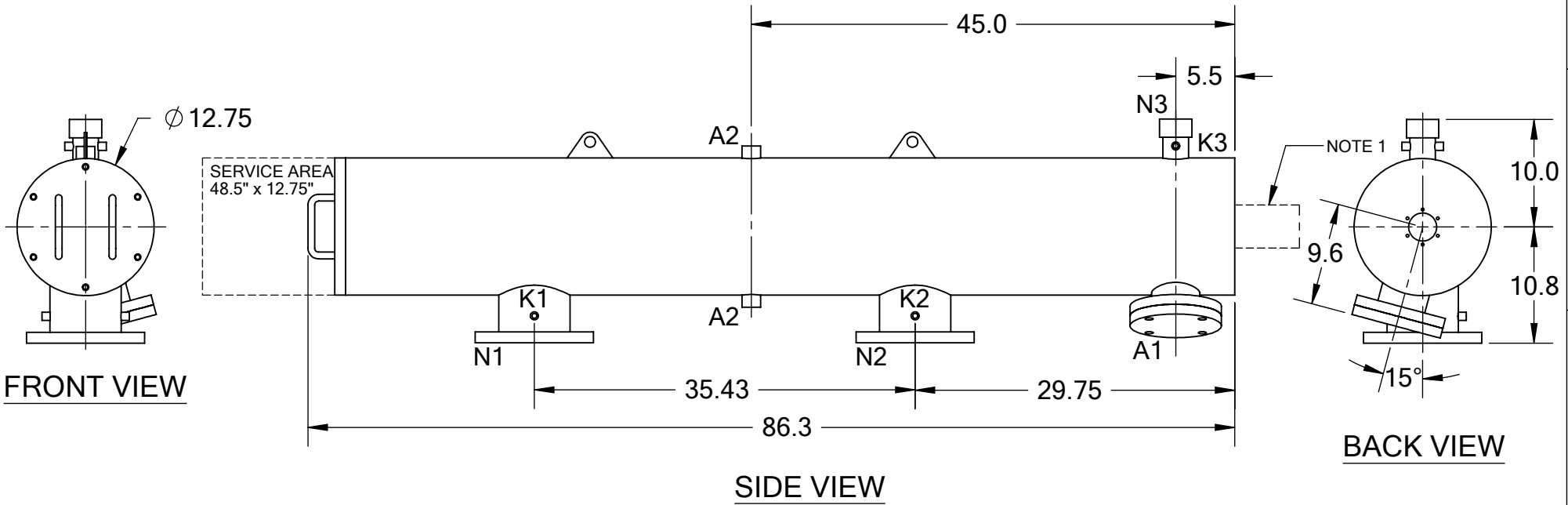


REVISIONS				
REV.	ZONE	DESCRIPTION	DATE	INITIAL
1	1B, 2B	CHANGED "WORKING" TO "DESIGN" & TEMPERATURE FROM 200°F TO 160°F IN TECHNICAL DATA TABLE.	09/27/12	S.P.
2	7D	ADDED NOTE 1.	10/17/14	M.S.



**TECHNICAL DATA**

FLOW RATE	MAX. 800 GPM (182 m <sup>3</sup> /hr)
SCREEN SIZE	____ MICRON
SCREEN AREA	8.0 SQ. FEET
DESIGN TEMPERATURE	160 °F
DESIGN PRESSURE	150 PSI
EMPTY WEIGHT	~335 LBS.
FULL WEIGHT	~635 LBS.

**NOTES:**  
 1. PLEASE ALLOW ~20" ADDITIONAL TO INSTALL AND REMOVE THE PISTON ASSEMBLY TO THE BACKSIDE OF THE FILTER.

NOZZLE	CONNECTION	TYPE	SIZE	RATING
A1	SERVICE PORT	FLANGED	3.5" ASA	CL. #150 F.F. w/ Blind  CLASS #150 F.F.S.O. CLASS #150 F.F.S.O.
A2	PRESSURE RELEASE	THREADED	1" NPT(2)	
K1	HIGH PRESSURE CONN.	THREADED	1/4" NPT(2)	
K2	LOW PRESSURE CONN.	THREADED	1/4" NPT(2)	
K3	HYDRAULIC CONN.	THREADED	1/4" NPT(2)	
N1	INLET	FLANGED	6" ASA	
N2	OUTLET	FLANGED	6" ASA	
N3	FLUSH OUTLET	THREADED	2" NPT	

TOLERANCES (UNLESS OTHERWISE SPECIFIED)	
FRAC. ±1/16	ANGLE ±1°
.X ±.1	
.XX ±.05	
.XXX ±.010	
<b>MATERIAL:</b> SST	
<b>DRAWN BY:</b> S. PERKINSON	
<b>DATE:</b> 06/28/11	
<b>SCALE:</b> 1:14	<b>SHEET:</b> 1 OF 1

**TEKLEEN®**  
*Automatic Filters Inc.*  
 2672 S. LA CIENEGA BLVD.  
 LOS ANGELES, CA 90034  
 MAIN: (310) 839-2828  
 FAX: (310) 839-6878

**TITLE:**  
 ABW6-XLP FILTER,  
 CUT DRAWING

<b>DRAWING NUMBER</b>	<b>REV</b>
ABW-6XLP-CUT-01	2