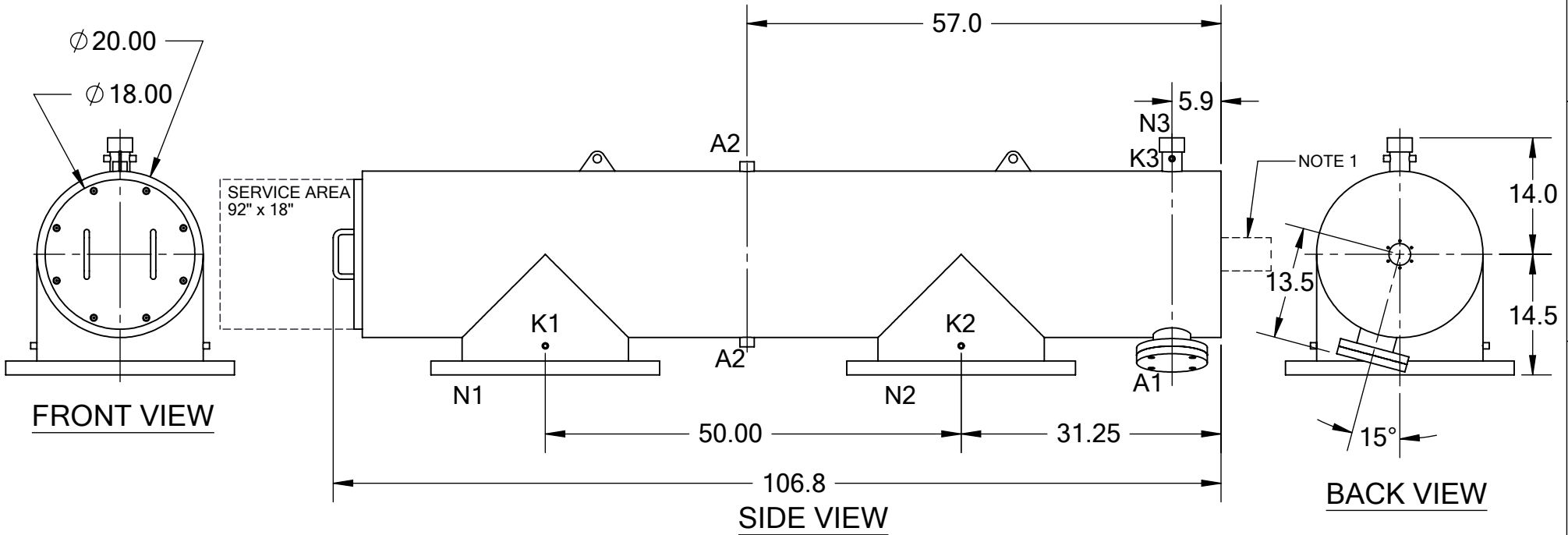


REVISIONS				
REV.	ZONE	DESCRIPTION	DATE	INITIAL
1	7D	ADDED NOTE 1.	10/17/14	M.S.



TECHNICAL DATA

FLOW RATE	MAX. 4,000 GPM (908 m <sup>3</sup> /hr)
SCREEN SIZE	___ MICRON
SCREEN AREA	12.5 SQ. FEET
DESIGN TEMPERATURE	160 °F
DESIGN PRESSURE	150 PSI
EMPTY WEIGHT	~975 LBS.
FULL WEIGHT	~1,500 LBS.

NOTES:

- PLEASE ALLOW ~20" ADDITIONAL TO INSTALL AND REMOVE THE PISTON ASSEMBLY TO THE BACKSIDE OF THE FILTER.

NOZZLE	CONNECTION	TYPE	SIZE	RATING	TOLERANCES (UNLESS OTHERWISE SPECIFIED)		 2672 S. LA CIENEGA BLVD. LOS ANGELES, CA 90034 MAIN: (310) 839-2828 FAX: (310) 839-6878
A1	SERVICE PORT	FLANGED	3.5" ASA	CL. #150 F.F. w/ Blind	FRAC. ±1/16	ANGLE ±1°	
A2	PRESSURE RELEASE	THREADED	1" NPT(2)		.X ±.1		
K1	HIGH PRESSURE CONN.	THREADED	1/4" NPT(2)		.XX ±.05		
K2	LOW PRESSURE CONN.	THREADED	1/4" NPT(2)		.XXX ±.010		
K3	HYDRAULIC CONN.	THREADED	1/4" NPT(2)	CLASS #150 F.F.S.O.	MATERIAL: SST		TITLE:
N1	INLET	FLANGED	20" ASA	CLASS #150 F.F.S.O.	DRAWN BY: J. KAWAMOTO		ABW20-P FILTER, CUT DRAWING
N2	OUTLET	FLANGED	20" ASA		DATE: 06/24/13		DRAWING NUMBER
N3	FLUSH OUTLET	THREADED	2" NPT		SCALE: 1:18 SHEET: 1 OF 1		ABW-20P-CUT-01
							REV
							1