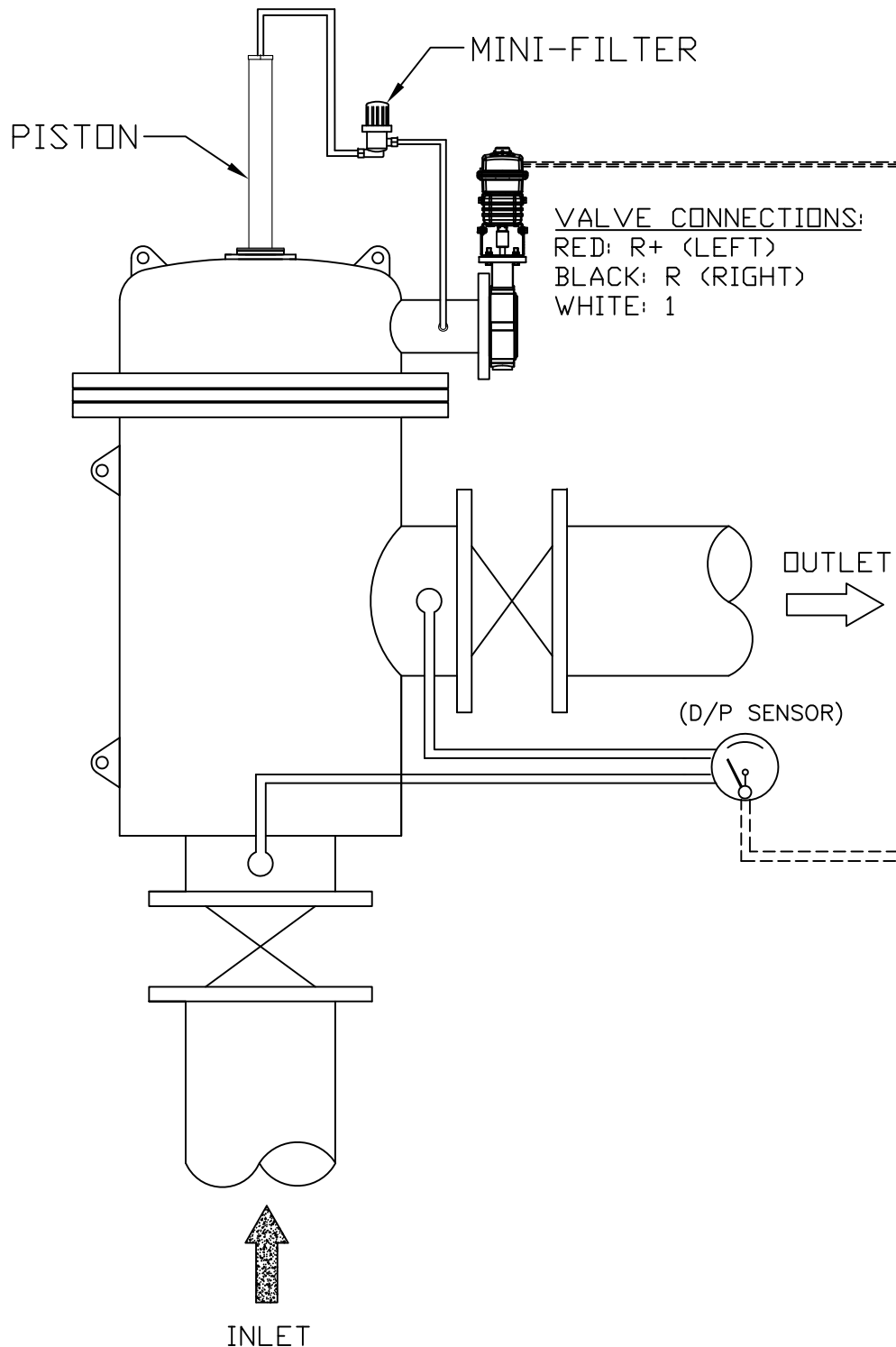


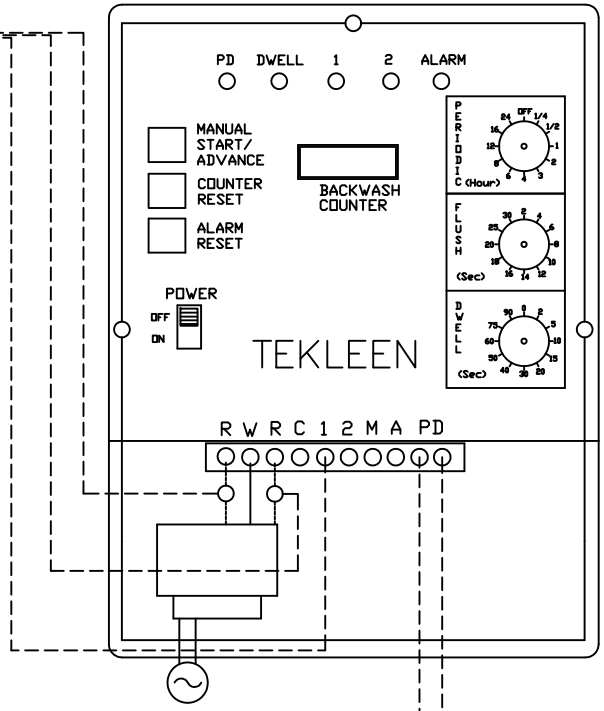
1 2 3 4 5 6 7 8

REVISIONS				
REV	ZONE	DESCRIPTION	DATE	APPROVED



VALVE CONNECTIONS:
 RED: R+ (LEFT)
 BLACK: R (RIGHT)
 WHITE: 1

GB6 ELECTRIC CONTROLLER



UNLESS OTHERWISE SPECIFIED DIMENSIONS ARE IN INCHES TOLERANCES		AUTOMATIC FILTERS, INC. 2672 S. LA CIENEGA BLVD. LOS ANGELES, CA 90034 (310) 839-2828 FAX (310) 839-6878		
DECIMALS ANGULAR .XX ± .05 ± 0.5 DEG. .XXX ± .01		TITLE WIRING LAYOUT FOR LARGE MTF FILTER WITH GB6 ELECTRIC CONTROLLER & ELECTRIC BUTTERFLY FLUSH VALVE		
DRAWN S. PERKINSON	DATE 02/08/12	SIZE A	DWG NO. WIRE-MTFGB6-EBFV-LAY-01	REV N/A
CHECKED		NOT TO SCALE		SHEET 1 OF 1
DESIGN FOR:				