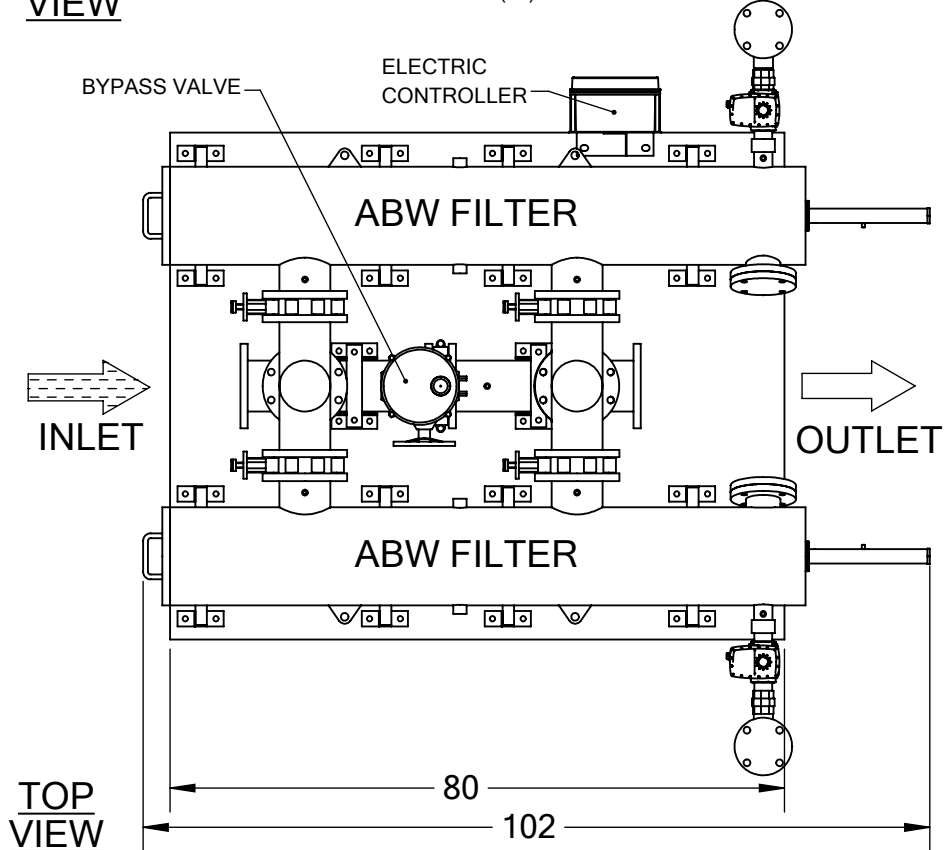
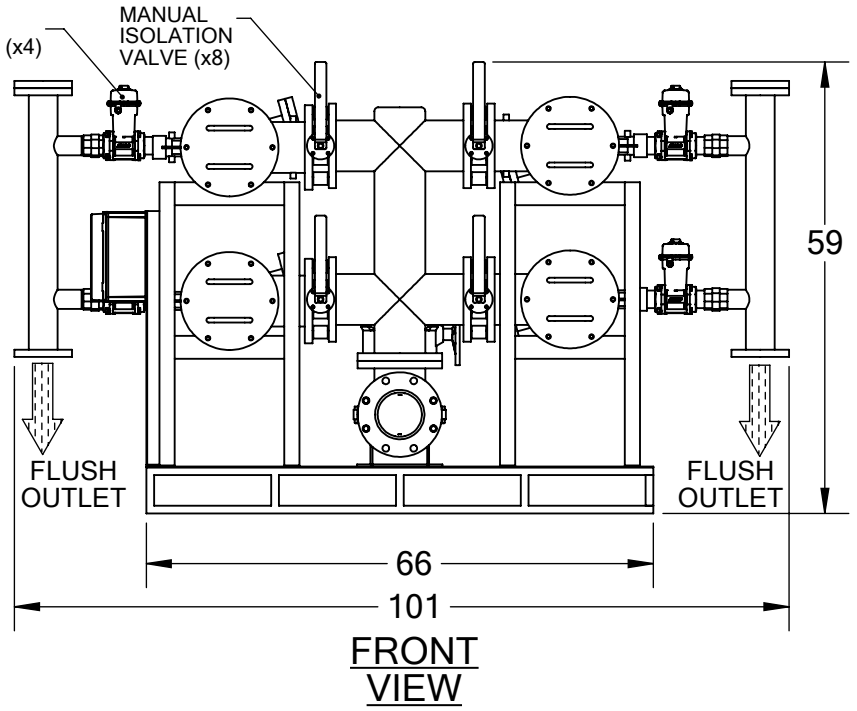
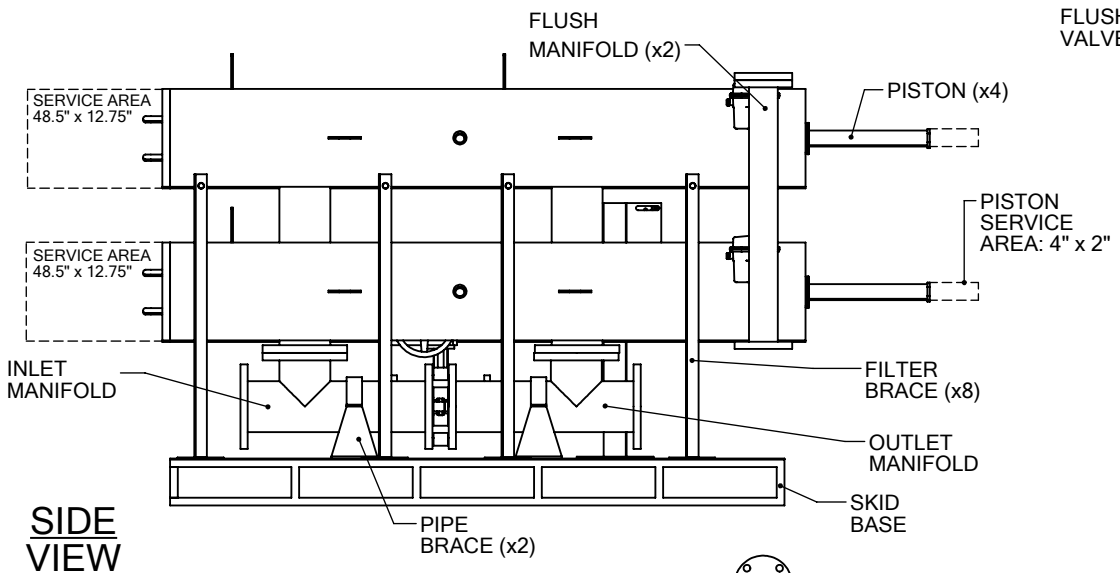


REVISIONS				
REV.	ZONE	DESCRIPTION	DATE	INITIAL

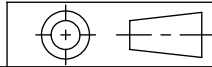


- NOTES:
1. MINI-FILTERS, D/P SWITCH, HARDWARE, HYDRAULIC & ELECTRICAL CONNECTIONS NOT SHOWN.
 2. ELECTRIC CONTROLLER MAY BE MOUNTED ELSEWHERE ON SKID BASE & VARY IN SIZE.
 3. ACTUAL VALVES & CONNECTING PIPES USED MAY DIFFER SLIGHTLY AND BE ORIENTED DIFFERENTLY.
 4. DIMENSIONS ARE APPROXIMATES AND MAY VARY SLIGHTLY.
 5. NUMBER OF BRACES MAY VARY.
 6. SERVICE AREAS NOT TO SCALE.

TOLERANCES (UNLESS OTHERWISE SPECIFIED)

FRAC. ±1/16
 .X ±.1
 .XX ±.05
 .XXX ±.010

ANGLE ±1°



UNAUTHORIZED USE, MANUFACTURE OR REPRODUCTION IN WHOLE OR IN PART IS PROHIBITED. DRAWING, DESIGN AND OTHER DISCLOSURES PROPERTY OF TEKLEEN AUTOMATIC FILTERS, INC.

TEKLEEN
 Automatic Filters Inc.
 2672 S. LA CIENEGA BLVD.
 LOS ANGELES, CA 90034
 MAIN: (310) 839-2828
 FAX: (310) 839-6878

MATERIAL:	VARIES
DRAWN BY:	S. PERKINSON
DATE:	01/24/2018
SCALE:	1:25

TITLE:	4x ABW FILTERS ON SKID UNIT (LAYERED), LAYOUT DRAWING, (4-XLP, 6-XLP & 8-LP MODELS)
DRAWING NUMBER	SKID-4ABW-LAYERED-1
REV	N/A

E
D
C
B
A