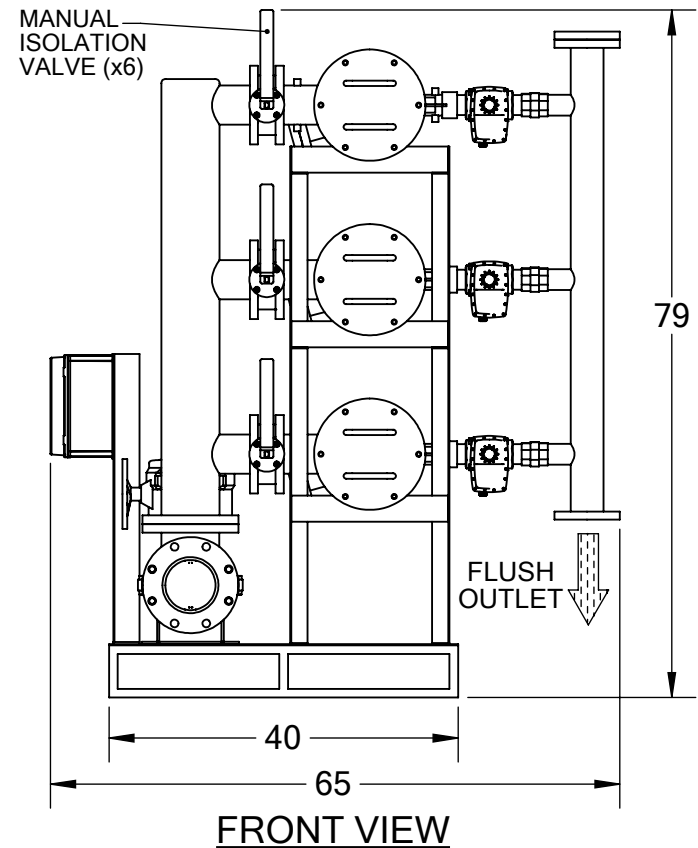


REVISIONS				
REV.	ZONE	DESCRIPTION	DATE	INITIAL



NOTES:

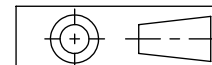
1. MINI-FILTERS, D/P SWITCH, HARDWARE, HYDRAULIC & ELECTRICAL CONNECTIONS NOT SHOWN.
2. ACTUAL VALVES USED MAY DIFFER SLIGHTLY AND BE ORIENTED DIFFERENTLY.
3. ELECTRIC CONTROLLER MAY BE PLACED ELSEWHERE ON SKID BASE.
4. DIMENSIONS ARE APPROXIMATES AND MAY VARY SLIGHTLY DEPENDING ON FILTER MODEL USED.
5. NUMBER OF FILTER BRACES MAY VARY.
6. SERVICE AREA NOT TO SCALE.

UNAUTHORIZED USE, MANUFACTURE OR REPRODUCTION IN WHOLE OR IN PART IS PROHIBITED. DRAWING, DESIGN AND OTHER DISCLOSURES PROPERTY OF TEKLEEN AUTOMATIC FILTERS, INC.

TOLERANCES (UNLESS OTHERWISE SPECIFIED)

FRAC. $\pm 1/16$
 .X $\pm .1$
 .XX $\pm .05$
 .XXX $\pm .010$

ANGLE $\pm 1^\circ$



MATERIAL: VARIES

DRAWN BY: S. PERKINSON

DATE: 04/06/2017

SCALE: 1:22 **SHEET:** 1 OF 1

TEKLEEN
 Automatic Filters Inc.
 2672 S. LA CIENEGA BLVD.
 LOS ANGELES, CA 90034
 MAIN: (310) 839-2828
 FAX: (310) 839-6878

TITLE: 3x ABW FILTERS ON SKID UNIT (LAYERED), LAYOUT DRAWING, (3-XLP, 4-LP, 6-LP & 8-P MODELS)

DRAWING NUMBER SKID-3ABW-LAYERED-2
REV N/A