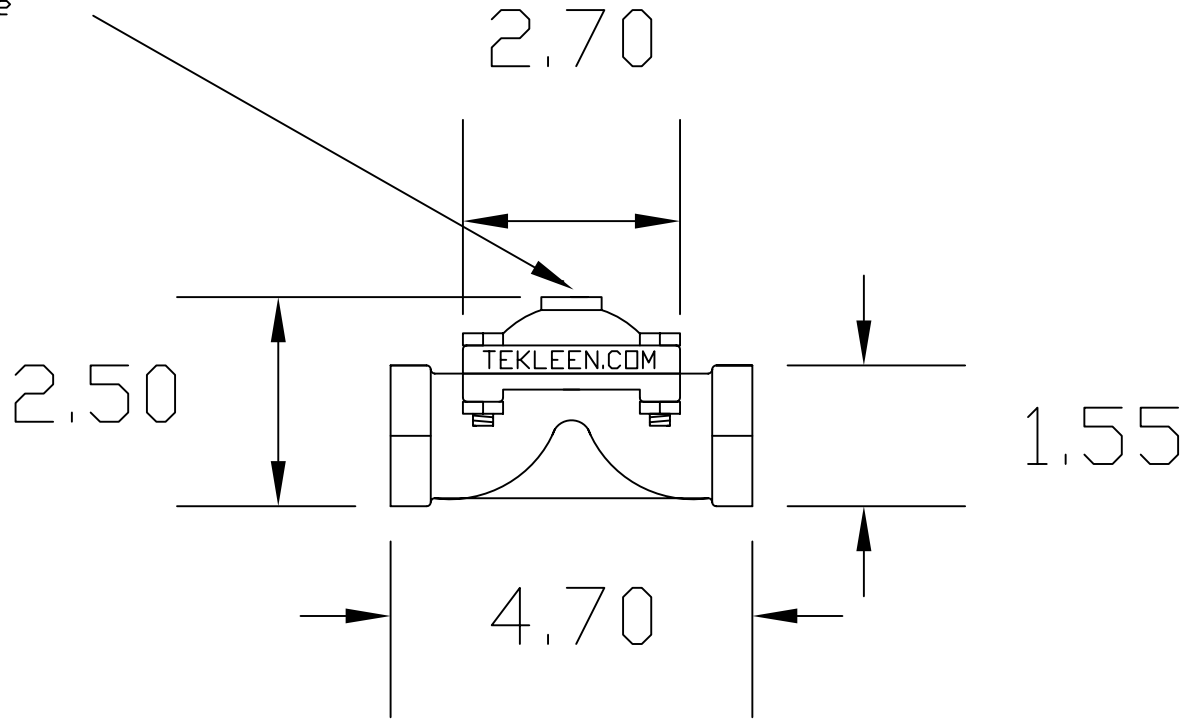


1 2 3 4 5 6 7 8

REVISIONS				
ZONE	REV	DESCRIPTION	DATE	APPROVED

1/8" NPT through hole



UNLESS OTHERWISE SPECIFIED DIMENSIONS ARE IN INCHES TOLERANCES DECIMALS    ANGULAR .XX + .05    ± 0.5 DEG. .XXX ± .01		AUTOMATIC FILTERS, INC. 2672 S. LA CIENEGA BLVD. LOS ANGELES, CA 90034 (310) 839-2828 FAX (310) 839-6878		
DRAWN DANIEL STENBERG		DATE 8-30-05		TITLE  1" SST Hydraulic Flush Valve
CHECKED		SIZE A	DWG NO. HFV-1SST-SPEC-01	REV 0
DESIGN				SHEET OF

E  
D  
C  
B  
A