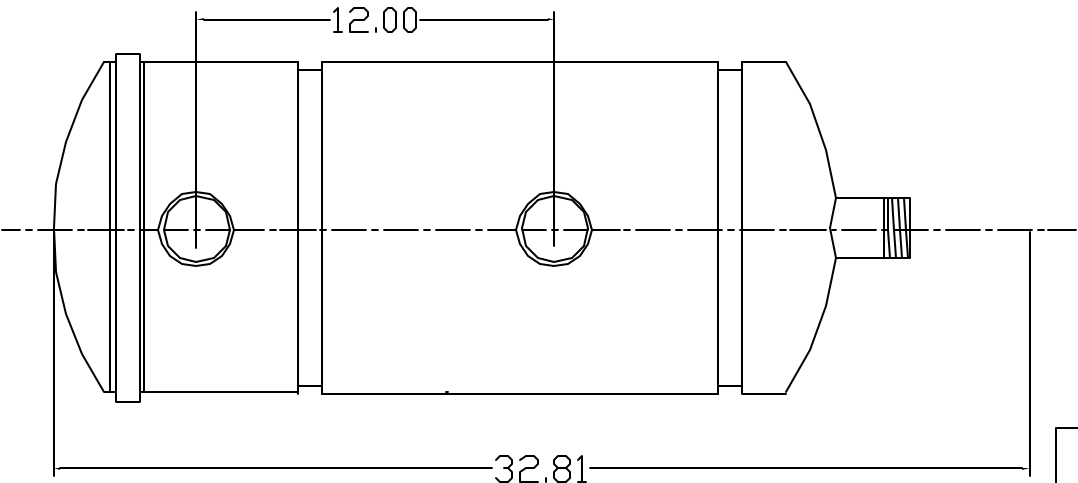
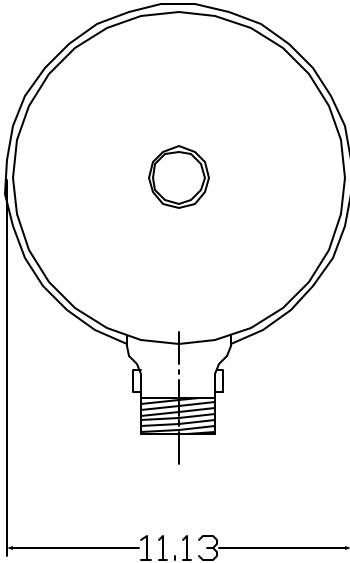
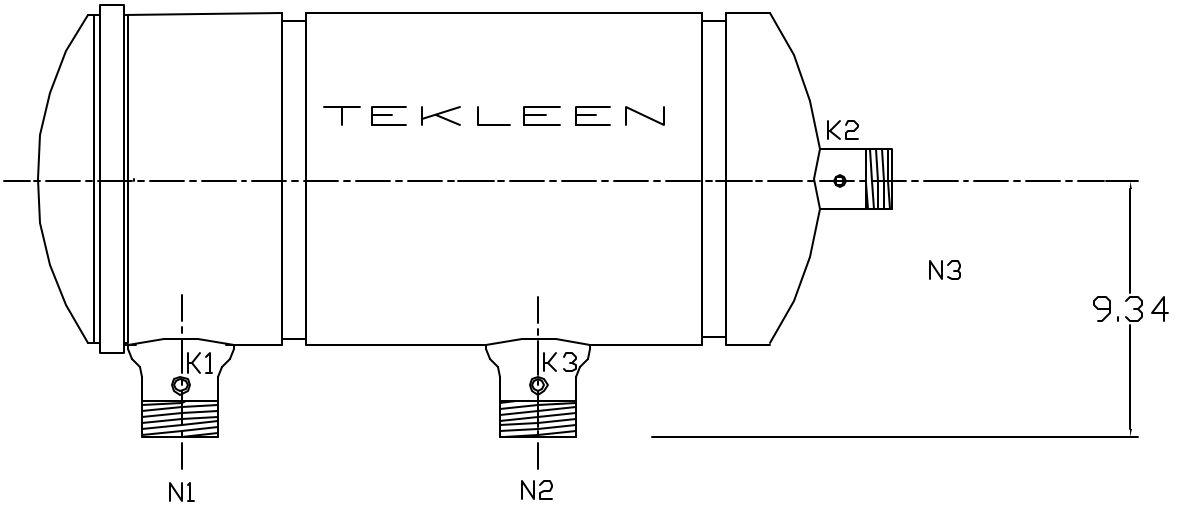


REVISIONS				
ZONE	REV	DESCRIPTION	DATE	APPROVED



NOZZLE	CONNECTION	TYPE	SIZE
N1	INLET	THREADED	2" ASA
N2	OUTLET	THREADED	2" ASA
N3	FLUSH OUTLET	THREADED	2" NPT
K1	Hi Pres. Conn.	THREADED	1/4" NPT
K2	BackWash P.	THREADED	1/8" NPT
K3	Low Pres.	THREADED	1/4" NPT

FLOW RATE: MAX. 200 GPM
 MAX. PRESS.: 125 PSI
 SCREEN SIZE: 5-400 MICRON
 SCREEN AREA: 1.5 SQ.F.T.
 MAX. TEMP: 140 F (AVAIL. TO 210 F)
 WEIGHT: 75 LBS.

UNLESS OTHERWISE SPECIFIED DIMENSIONS ARE IN INCHES TOLERANCES DECIMALS ANGULAR XX ± .05 ± 0.5 DEG. XXX ± .01		AUTOMATIC FILTERS, INC. 2672 S. LA CIENEGA BLVD. LOS ANGELES, CA 90034 (310) 839-2828 FAX (310) 839-6878	
DRAWN		DATE	
Daniel Stenberg		4-8-05	
CHECKED			
DESIGN			
TITLE		OBF2-P	
SIZE	DWG NO.	REV	
A	OBF2-P	1	
NTS		SHEET 1 OF 1	