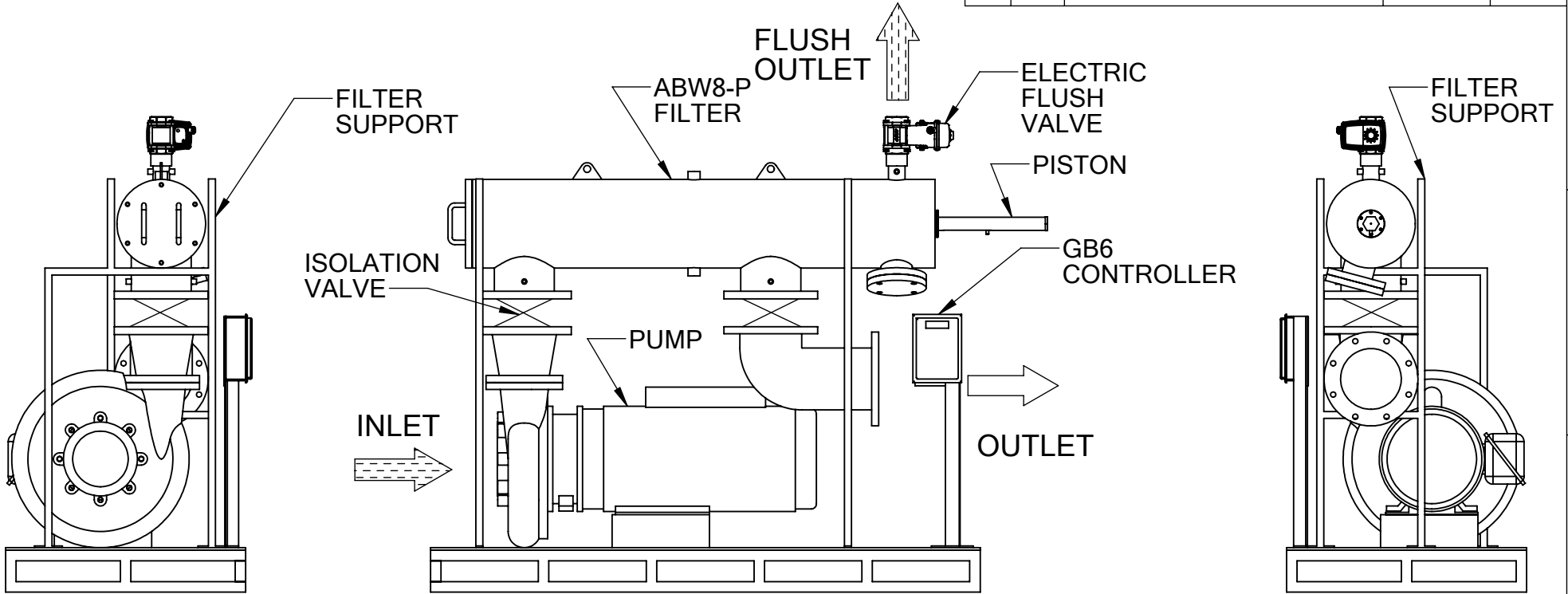


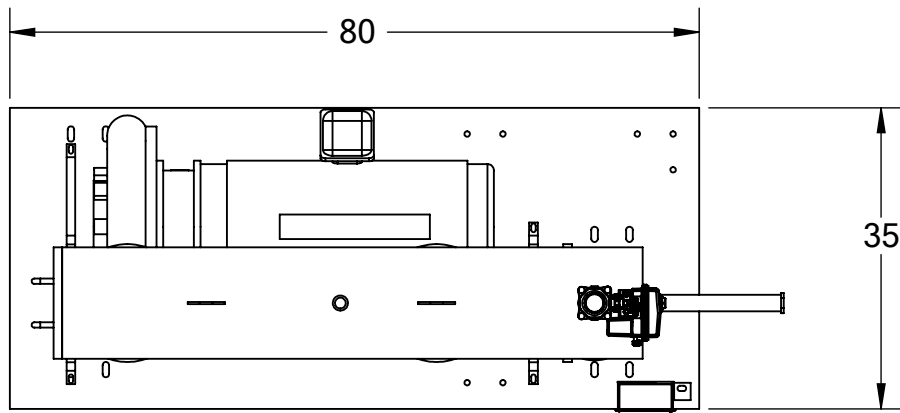
| REVISIONS | | | | |
|-----------|------|-------------|------|---------|
| REV. | ZONE | DESCRIPTION | DATE | INITIAL |
| | | | | |



FRONT

SIDE VIEW

BACK VIEW



TOP VIEW

TOLERANCES
(UNLESS OTHERWISE SPECIFIED)

| | |
|------------------|---------------------|
| FRAC. $\pm 1/16$ | ANGLE $\pm 1^\circ$ |
| .X $\pm .1$ | |
| .XX $\pm .05$ | |
| .XXX $\pm .010$ | |

TEKLEEN
Automatic Filters Inc.
2672 S. LA CIENEGA BLVD.
LOS ANGELES, CA 90034
MAIN: (310) 839-2828
FAX: (310) 839-6878

| | | | |
|-----------------------------|----------------------|---|--|
| MATERIAL: SST 304 | | TITLE: LAYOUT FOR ABW8-P ON SKID UNIT WITH PUMP AND ELECTRIC FLUSH VALVE | |
| DRAWN BY: M. SERRANO | | DRAWING NUMBER REV | |
| DATE: 08/20/2018 | | SKID-ABW-8P-LAY-01 N/A | |
| SCALE: 1:22 | SHEET: 1 OF 1 | | |