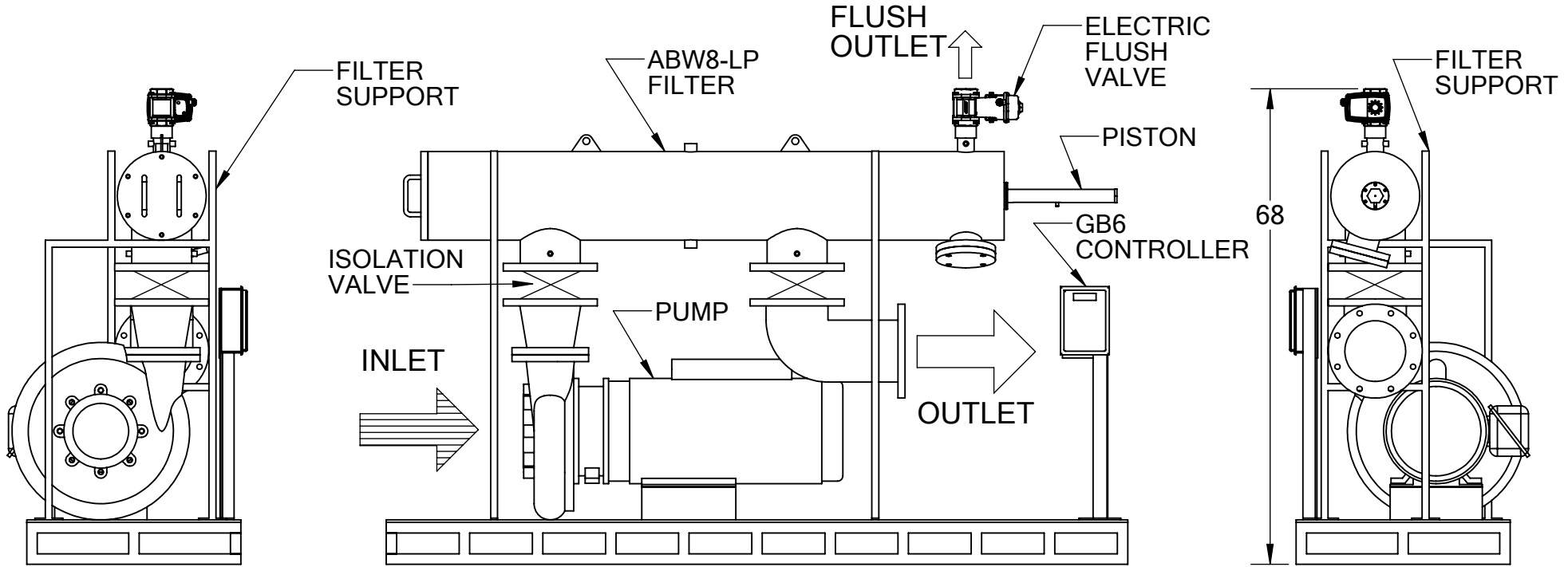


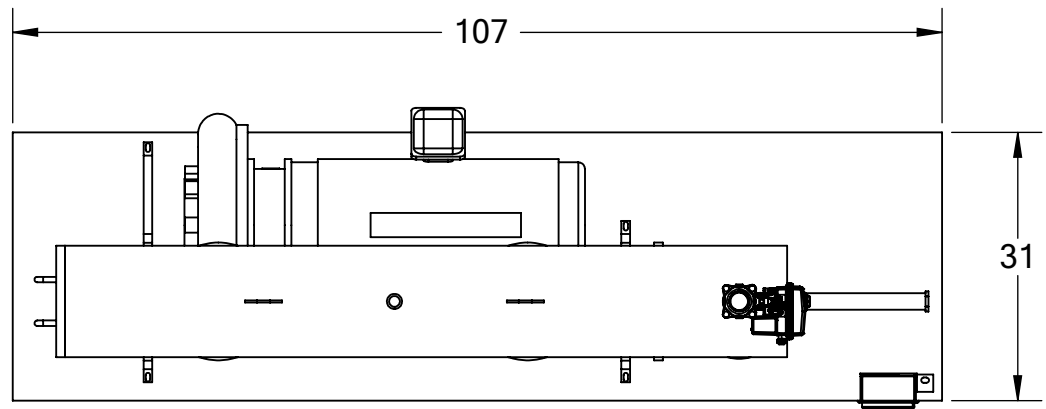
REVISIONS				
REV.	ZONE	DESCRIPTION	DATE	INITIAL



FRONT

SIDE VIEW

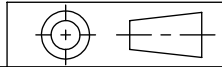
BACK VIEW



TOP VIEW

TOLERANCES
(UNLESS OTHERWISE SPECIFIED)

FRAC. $\pm 1/16$	ANGLE $\pm 1^\circ$
.X $\pm .1$	
.XX $\pm .05$	
.XXX $\pm .010$	



TEKLEEN
Automatic Filters Inc.
2672 S. LA CIENEGA BLVD.
LOS ANGELES, CA 90034
MAIN: (310) 839-2828
FAX: (310) 839-6878

MATERIAL: VAIRES		TITLE: LAYOUT FOR ABW8-LP ON SKID UNIT WITH PUMP AND ELECTRIC FLUSH VALVE	
DRAWN BY: J. KAWAMOTO		DRAWING NUMBER	REV
DATE: 07/19/2013		SKID-ABW-8LP-LAY-01	N/A
SCALE: 1:22	SHEET: 1 OF 1		