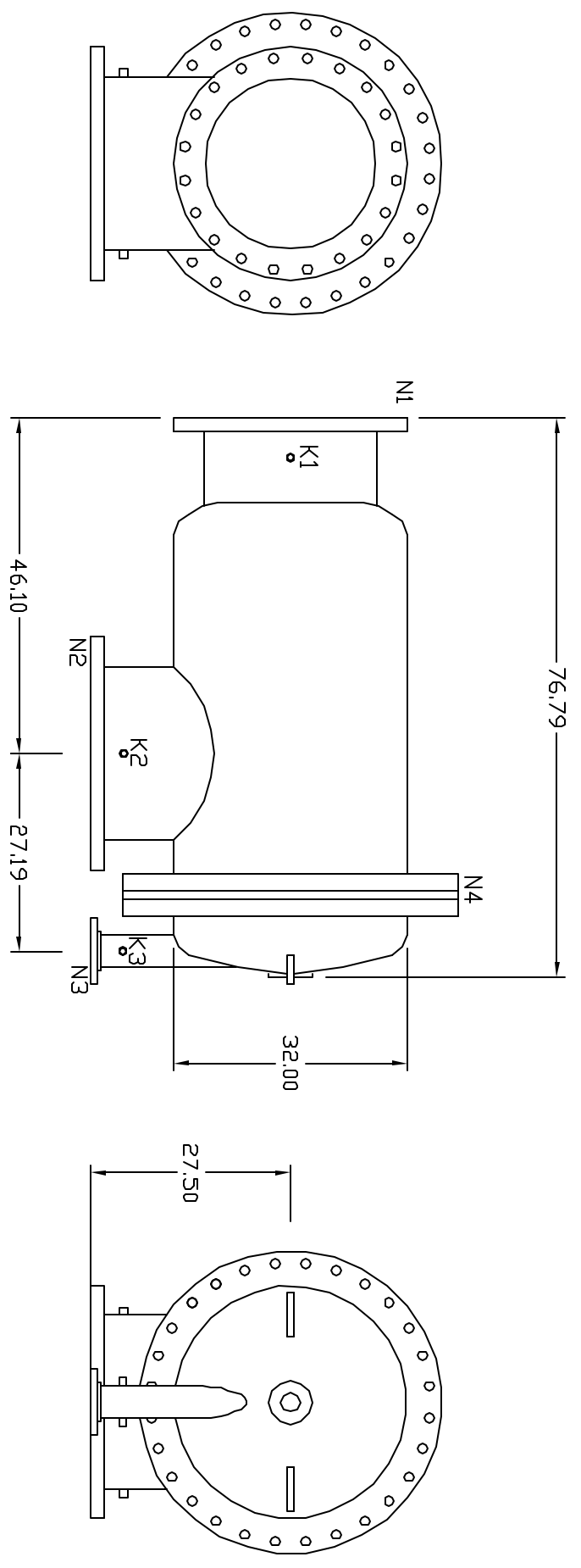


REVOLUTIONS		DESCRIPTION	DATE	APPROVED
ZONE	REV			



TECHNICAL DATA

Flow Rate	Max. 10,000 GPM
Screen Size	— Micron
Screen Area	240 sq.ft
Working Temp.	200 deg. F
Working Pressure	200 PSI
Empty Weight	2000 lbs.
Full Weight	4200 lbs.

NOZZLE	CONNECTION	TYPE OF CONNECTION	SIZE	RATING
K1	Hi. Press. Conn.	Threaded	1/4" NPT(2)	150 lbs. F.F.
K2	Low Press. Conn.	Threaded	1/4" NPT (2)	150 lbs. F.F.
K3	Hydraulic Conn.	Threaded	1/4" NPT(2)	150 lbs. F.F.
N1	Inlet	Flanged	16" ANSI	150 lbs. F.F.
N2	Outlet	Flanged	16" ANSI	150 lbs. F.F.
N3	Flushoutlet	Threaded	4" ANSI	150 lbs. F.F.
N4	Connection Flange	Flanged	32" AWWA	150 lbs. F.F.

UNLESS OTHERWISE SPECIFIED
 DIMENSIONS ARE IN INCHES
 DECIMALS TOLERANCES
 XX ± .05 ANGULAR ± .03 DEGS
 XXX ± .01

AUTOMATIC FILTERS, INC.
 2672 S. LA CIENEGA BLVD.
 LOS ANGELES, CA 90034
 (310) 839-2828 FAX (310) 839-6878

DRAWN	DATE	TITLE MTF 16-S
Checked Daniel Stenberg	3-3-09	
DESIGN		
SIZE	DWG NO.	REV
A	MTF16-S	0
NOT TO SCALE	SHEET	OF