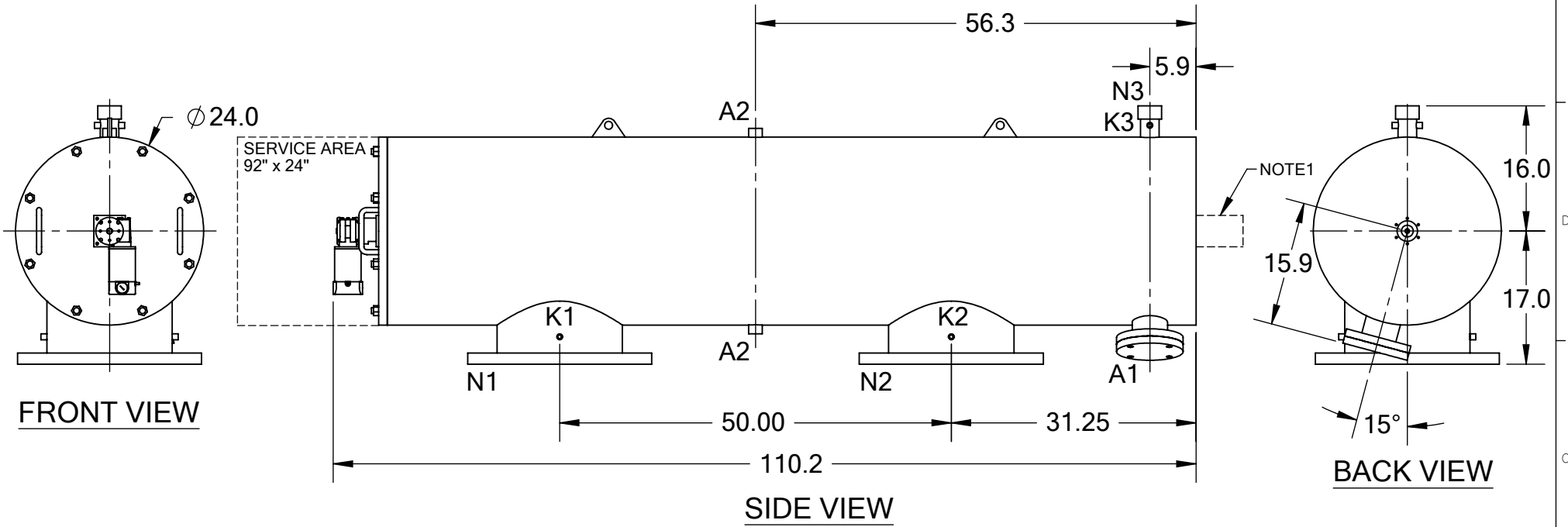


REVISIONS				
REV.	ZONE	DESCRIPTION	DATE	INITIAL


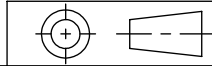


TECHNICAL DATA

FLOW RATE	MAX. 6,000 GPM (1,363 m ³ /hr)
SCREEN SIZE	___ MICRON
SCREEN AREA	16.0 SQ. FEET
DESIGN TEMPERATURE	160 °F
DESIGN PRESSURE	150 PSI
EMPTY WEIGHT	~1,450 LBS.
FULL WEIGHT	~2,150 LBS.

NOTES:

- PLEASE ALLOW ~20" ADDITIONAL TO INSTALL AND REMOVE THE PISTON ASSEMBLY TO THE BACKSIDE OF THE FILTER.

NOZZLE	CONNECTION	TYPE	SIZE	RATING	TOLERANCES (UNLESS OTHERWISE SPECIFIED)	 2672 S. LA CIENEGA BLVD. LOS ANGELES, CA 90034 MAIN: (310) 839-2828 FAX: (310) 839-6878	
A1	SERVICE PORT	FLANGED	3.5" ASA	CL. #150 F.F. w/ Blind			FRAC. ±1/16 ANGLE ±1° .X ±.1 .XX ±.05 .XXX ±.010 
A2	PRESSURE RELEASE	THREADED	1" NPT(2)	CLASS #150 F.F.S.O. CLASS #150 F.F.S.O.	MATERIAL: SST	TITLE: LPF18-LP FILTER, CUT DRAWING	
K1	HIGH PRESSURE CONN.	THREADED	1/4" NPT(2)		DRAWN BY: S. PERKINSON	DRAWING NUMBER	REV
K2	LOW PRESSURE CONN.	THREADED	1/4" NPT(2)		DATE: 05/05/2015	LPF-18LP-CUT-01	N/A
K3	HYDRAULIC CONN.	THREADED	1/4" NPT(2)		SCALE: 1:19	SHEET: 1 OF 1	
N1	INLET	FLANGED	18" ASA				
N2	OUTLET	FLANGED	18" ASA				
N3	FLUSH OUTLET	THREADED	2" NPT				