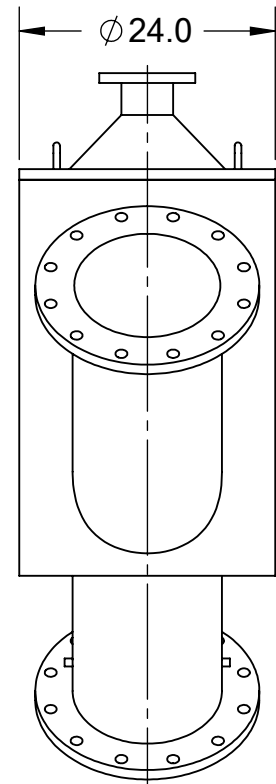
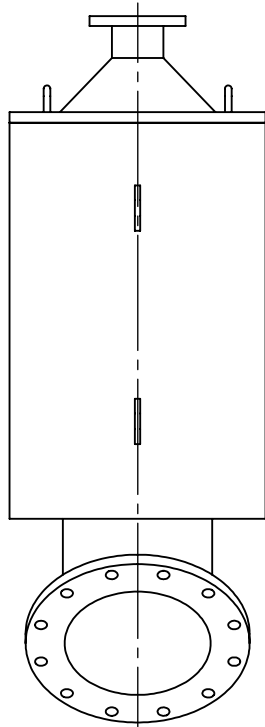


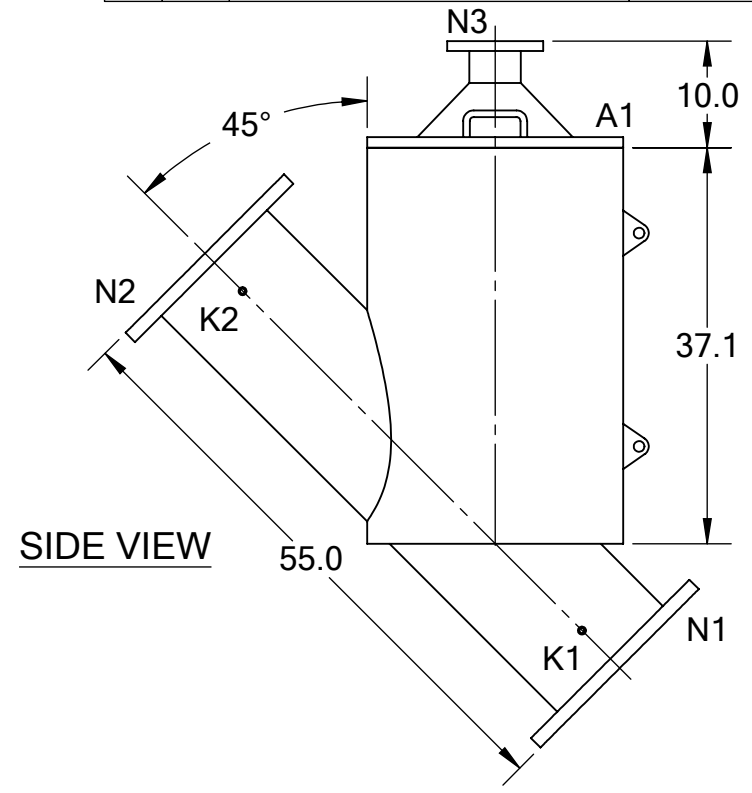
1 2 3 4 5 6 7 8



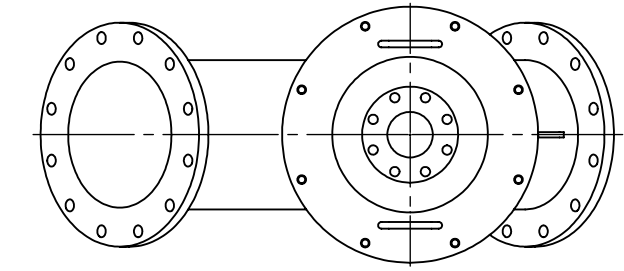
FRONT VIEW



BACK VIEW



SIDE VIEW



TOP VIEW

REVISIONS				
REV.	ZONE	DESCRIPTION	DATE	INITIAL

TECHNICAL DATA

FLOW RATE	MAX. 6,000 GPM (1,363 m ³ /hr)
SCREEN SIZE	____ MICRON
SCREEN AREA	12.4 SQ. FEET
DESIGN TEMPERATURE	160 °F
DESIGN PRESSURE	100 PSI
EMPTY WEIGHT	~675 LBS.
FULL WEIGHT	~1,650 LBS.

NOZZLE	CONNECTION	TYPE	SIZE	RATING
A1	SERVICE PORT	FLANGED	24"	
K1	HIGH PRESSURE CONN.	THREADED	1/4" NPT(2)	
K2	LOW PRESSURE CONN.	THREADED	1/4" NPT(2)	
N1	INLET	FLANGED	14" ASA	CLASS #150 F.F.S.O.
N2	OUTLET	FLANGED	14" ASA	CLASS #150 F.F.S.O.
N3	FLUSH OUTLET	FLANGED	4" ASA	CLASS #150 F.F.S.O.

TOLERANCES (UNLESS OTHERWISE SPECIFIED)

FRAC. ±1/16	ANGLE ±1°
.X ±.1	
.XX ±.05	
.XXX ±.010	

MATERIAL: SST

DRAWN BY: S. PERKINSON

DATE: 01/09/13

SCALE: 1:18 **SHEET:** 1 OF 1

TEKLEEN
Automatic Filters Inc.
2672 S. LA CIENEGA BLVD.
LOS ANGELES, CA 90034
MAIN: (310) 839-2828
FAX: (310) 839-6878

TITLE:
CSF14-L FILTER,
CUT DRAWING

DRAWING NUMBER	REV
CSF-14L-CUT-01	N/A