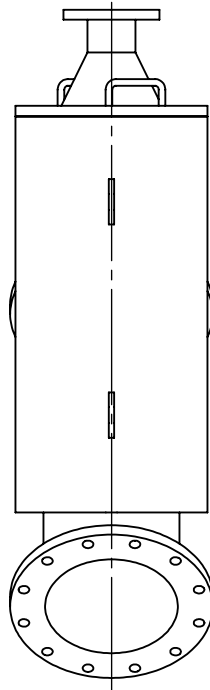
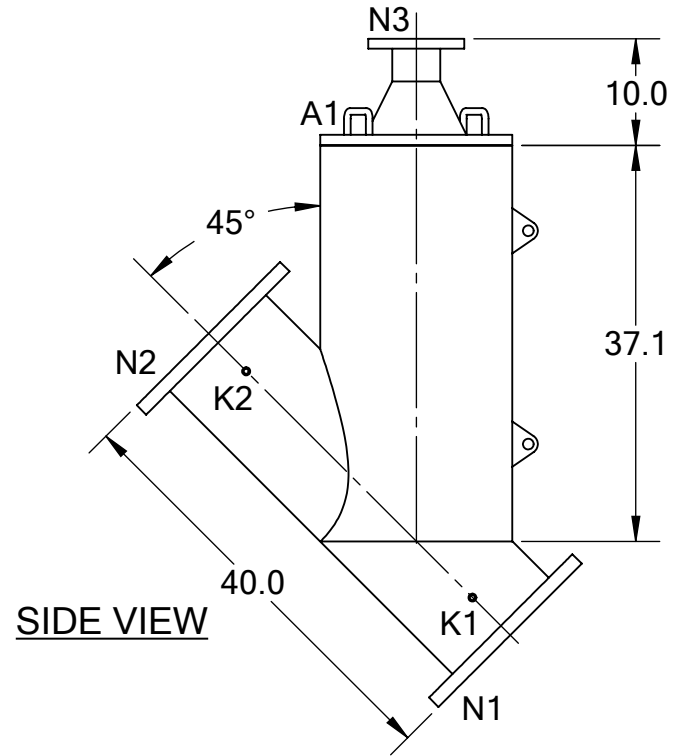


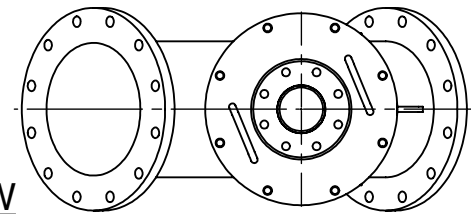
FRONT VIEW



BACK VIEW



SIDE VIEW



TOP VIEW

REVISIONS				
REV.	ZONE	DESCRIPTION	DATE	INITIAL

TECHNICAL DATA

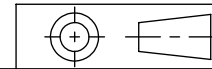
FLOW RATE	MAX. 4,000 GPM (908 m ³ /hr)
SCREEN SIZE	___ MICRON
SCREEN AREA	9.5 SQ. FEET
DESIGN TEMPERATURE	160 °F
DESIGN PRESSURE	150 PSI
EMPTY WEIGHT	~475 LBS.
FULL WEIGHT	~975 LBS.

NOZZLE	CONNECTION	TYPE	SIZE	RATING
A1	SERVICE PORT	FLANGED	18" ASA	
K1	HIGH PRESSURE CONN.	THREADED	1/4" NPT(2)	
K2	LOW PRESSURE CONN.	THREADED	1/4" NPT(2)	
N1	INLET	FLANGED	12" ASA	CLASS #150 F.F.S.O.
N2	OUTLET	FLANGED	12" ASA	CLASS #150 F.F.S.O.
N3	FLUSH OUTLET	FLANGED	4" ASA	CLASS #150 F.F.S.O.

TOLERANCES (UNLESS OTHERWISE SPECIFIED)

FRAC. ±1/16
 .X ±.1
 .XX ±.05
 .XXX ±.010

ANGLE ±1°



MATERIAL: SST

DRAWN BY: M. SERRANO

DATE: 10/08/18

SCALE: 1:18

SHEET: 1 OF 1

TEKLEEN
 Automatic Filters Inc.
 2672 S. LA CIENEGA BLVD.
 LOS ANGELES, CA 90034
 MAIN: (310) 839-2828
 FAX: (310) 839-6878

TITLE:
 CSF12-L FILTER WITH
 4" FLANGED FLUSH OUTLET,
 CUT DRAWING

DRAWING NUMBER	REV
CSF-12L-CUT-01	N/A