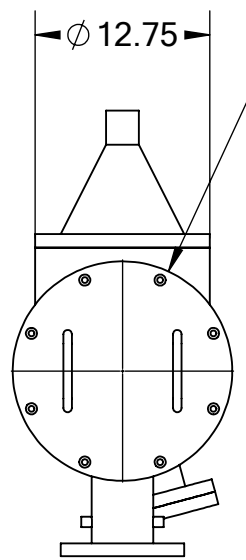
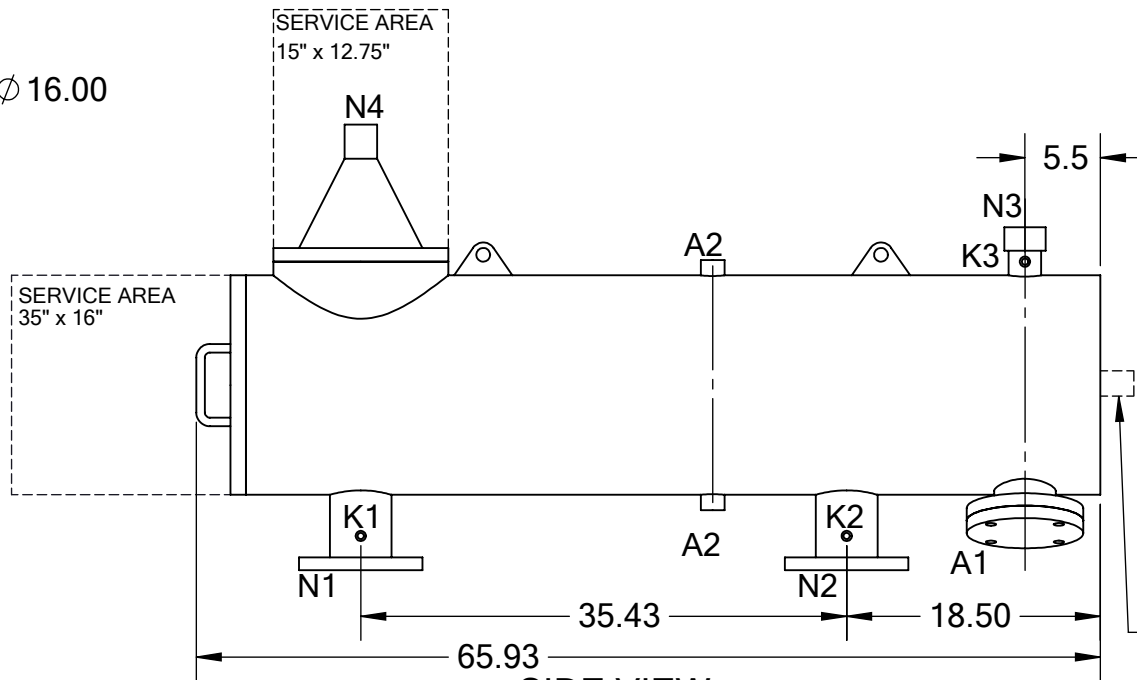


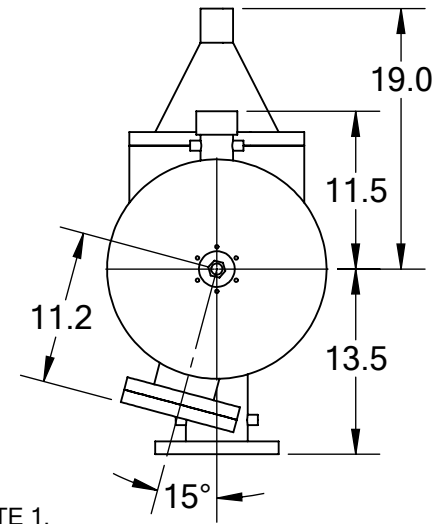
REVISIONS				
REV.	ZONE	DESCRIPTION	DATE	INITIAL



**FRONT VIEW**



**SIDE VIEW**



**BACK VIEW**

**TECHNICAL DATA**

	ABW	CSF
FLOW RATE	MAX. 600 GPM	(136 m <sup>3</sup> /hr)
SCREEN SIZE	___ MICRON	___ SLOT
SCREEN AREA	5.0 SQ. FEET	2.8 SQ. FEET
DESIGN TEMPERATURE	160 °F	160 °F
DESIGN PRESSURE	150 PSI	150 PSI
EMPTY WEIGHT	~520 LBS.	
FULL WEIGHT	~950 LBS.	

- NOTES:**  
 1. PLEASE ALLOW ~20" ADDITIONAL TO INSTALL AND REMOVE THE PISTON ASSEMBLY TO THE BACKSIDE OF THE FILTER.  
 2. SERVICE AREAS NOT TO SCALE.

UNAUTHORIZED USE, MANUFACTURE OR REPRODUCTION IN WHOLE OR IN PART IS PROHIBITED. DRAWING, DESIGN AND OTHER DISCLOSURES PROPERTY OF TEKLEEN AUTOMATIC FILTERS, INC.

NOZZLE	CONNECTION	TYPE	SIZE	RATING	TOLERANCES (UNLESS OTHERWISE SPECIFIED)		 2672 S. LA CIENEGA BLVD. LOS ANGELES, CA 90034 MAIN: (310) 839-2828 FAX: (310) 839-6878							
A1	SERVICE PORT	FLANGED	3.5" ASA	CL. #150 F.F. w/ Blind	FRAC. ±1/16	ANGLE ±1°								
A2	PRESSURE RELEASE	THREADED	1" NPT(2)		.X ±.1									
K1	HIGH PRESSURE CONN.	THREADED	1/4" NPT(2)	CLASS #150 F.F.S.O.	.XX ±.05	<table border="1"> <tr> <td><b>MATERIAL:</b></td> <td>SST</td> <td rowspan="2"><b>TITLE:</b> CS-ABW4-LP FILTER, CUT DRAWING</td> </tr> <tr> <td><b>DRAWN BY:</b></td> <td>M. SERRANO</td> </tr> </table>		<b>MATERIAL:</b>	SST	<b>TITLE:</b> CS-ABW4-LP FILTER, CUT DRAWING	<b>DRAWN BY:</b>	M. SERRANO		
<b>MATERIAL:</b>	SST	<b>TITLE:</b> CS-ABW4-LP FILTER, CUT DRAWING												
<b>DRAWN BY:</b>	M. SERRANO													
K2	LOW PRESSURE CONN.	THREADED	1/4" NPT(2)	CLASS #150 F.F.S.O.	.XXX ±.010	<table border="1"> <tr> <td><b>DATE:</b></td> <td>12/05/19</td> <td rowspan="2"><b>DRAWING NUMBER</b></td> <td rowspan="2"><b>REV</b></td> </tr> <tr> <td><b>SCALE:</b></td> <td>1:14</td> <td>CS-ABW-4LP-CUT-02</td> <td>N/A</td> </tr> </table>	<b>DATE:</b>	12/05/19	<b>DRAWING NUMBER</b>	<b>REV</b>	<b>SCALE:</b>	1:14	CS-ABW-4LP-CUT-02	N/A
<b>DATE:</b>	12/05/19	<b>DRAWING NUMBER</b>	<b>REV</b>											
<b>SCALE:</b>	1:14			CS-ABW-4LP-CUT-02	N/A									
K3	HYDRAULIC CONN.	THREADED	1/4" NPT(2)											
N1	INLET	FLANGED	4" ASA											
N2	OUTLET	FLANGED	4" ASA											
N3	FLUSH OUTLET	THREADED	2" NPT											
N4	FLUSH OUTLET	THREADED	2" NPT											