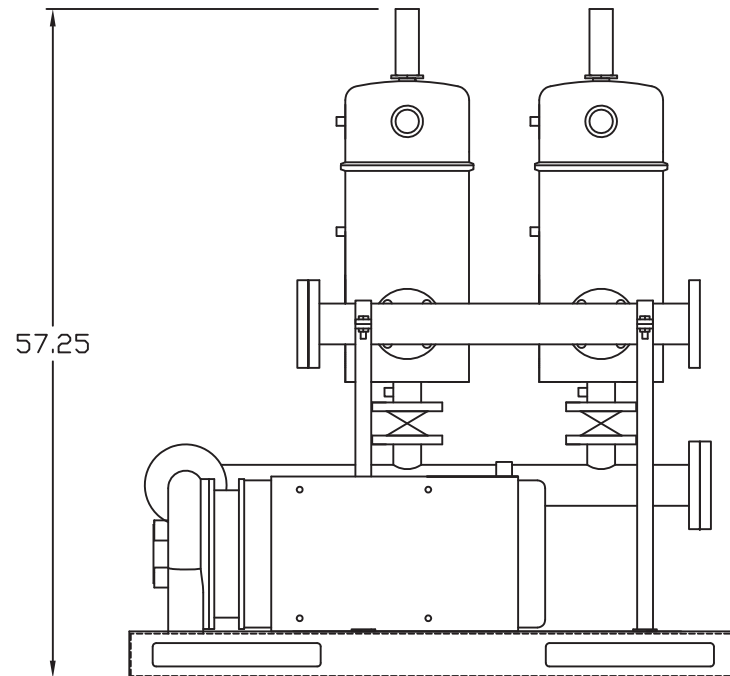
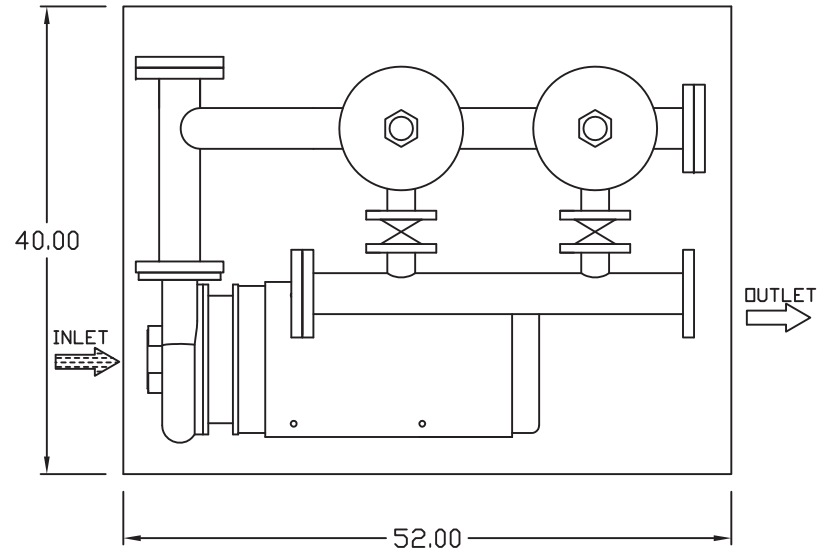


1 2 3 4 5 6 7 8

REVISIONS				
ZONE	REV	DESCRIPTION	DATE	APPROVED



UNLESS OTHERWISE SPECIFIED DIMENSIONS ARE IN INCHES TOLERANCES		AUTOMATIC FILTERS, INC.		
DECIMALS ANGULAR .XX ± .05 ± 0.5 DEG. .XXX ± .01		TITLE 2 MTF 2-XL, 3-L, & 4-L FILTERS IN PARALLEL WITH 1 PUMP, SKID UNIT		
DRAWN S. PERKINSON	DATE 01/25/11	SIZE A	DWG NO. 2MTF-2XL-3L-4L-SKID-01	REV N/A
CHECKED		NOT TO SCALE	SHEET 1 OF 1	
DESIGN FOR:				

E
D
C
B
A