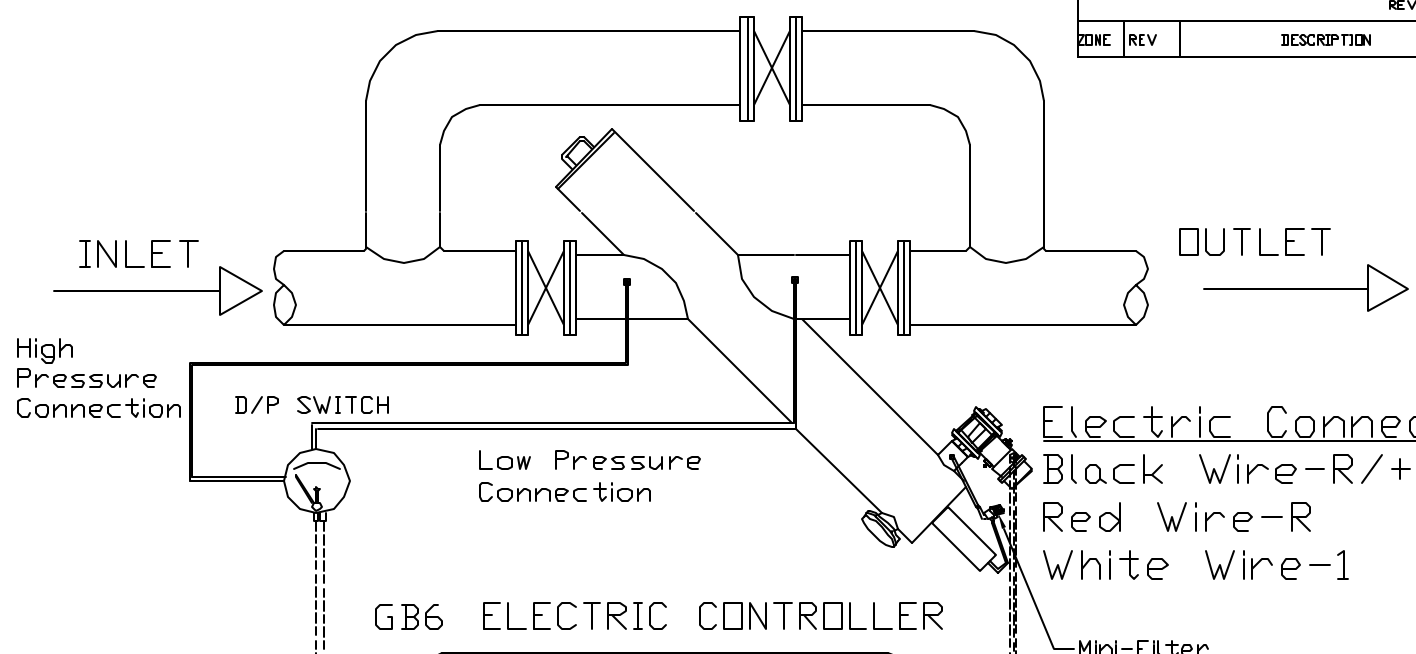


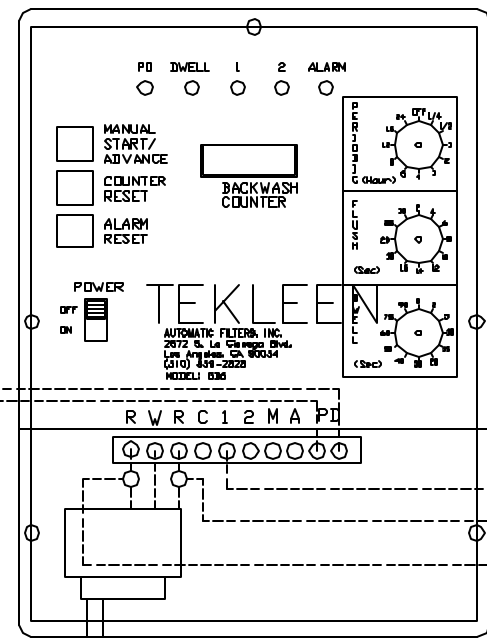
1 2 3 4 5 6 7 8

REVISIONS				
ZONE	REV	DESCRIPTION	DATE	APPROVED



Electric Connections
 Black Wire-R/+
 Red Wire-R
 White Wire-1

GB6 ELECTRIC CONTROLLER



Power Supply
 AC 110V/220V

UNLESS OTHERWISE SPECIFIED DIMENSIONS ARE IN INCHES TOLERANCES		AUTOMATIC FILTERS, INC.		
DECIMALS	ANGULAR	TITLE		
XX ± .05	± 0.5 DEG	ABW LAYOUT W/ GB6 CONTROLLER & ELECTRIC FLUSH VALVE		
DRAWN Daniel Stenborg	DATE 2-15-06	SIZE A	DWG NO. ABW-IN	REV 0
TAG NO.	JOB NO.	SCALE: NONE		SHEET 1 OF 1
P.O. NO.	LOCATION			

E
D
C
B
A