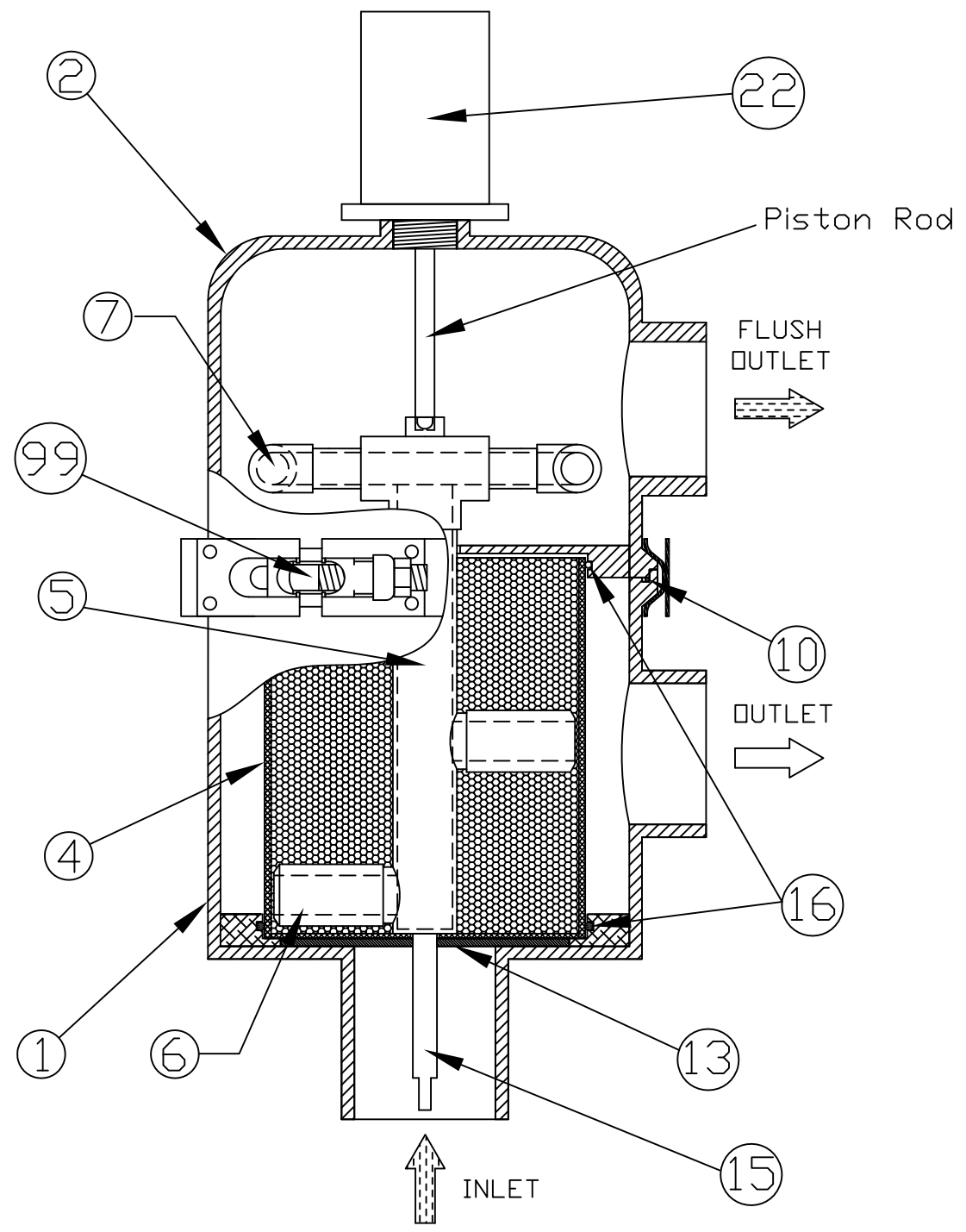


1 2 3 4 5 6 7 8

REVISIONS				
REV	ZONE	DESCRIPTION	DATE	APPROVED
1	4B	ADDED SCREEN BAR. R.E. ITEM 13.	09/19/11	S.P.



PART #	DESCRIPTION	MATERIAL OF CONSTRUCTION
1	Filter Housing	Stainless 304
2	Filter Cover	Stainless 304
4	Fine Screen	Stainless 316L
5	Dirt Collector	Stainless 316L
6	Dirt Collector Nozzle	Nylon
7	Hydraulic Motor	Stainless 316L
10	Cover Seal	Buna Rubber
13	Screen Bar	Stainless 304
15	Dirt Collector Rod	Stainless 316L
16	Upper/Lower O-Ring	Buna Rubber
22	Hydraulic Piston	Delrin/Brass/SST316L/Buna
99	MTF Clamp	Stainless 316

UNLESS OTHERWISE SPECIFIED DIMENSIONS ARE IN INCHES TOLERANCES		AUTOMATIC FILTERS, INC. 2672 S. LA CIENEGA BLVD. LOS ANGELES, CA 90034 (310) 839-2828 FAX (310) 839-6878	
DRAWN A. HOCKETT	DATE 7-23/10	TITLE MATERIAL OF CONSTRUCTION FOR MTF FILTER	
CHECKED		SIZE A	DWG NO. MTF-XX-MOC-01
DESIGN		REV 1	
SCALE 1/6		SHEET 1 OF 1	

E
D
C
B
A