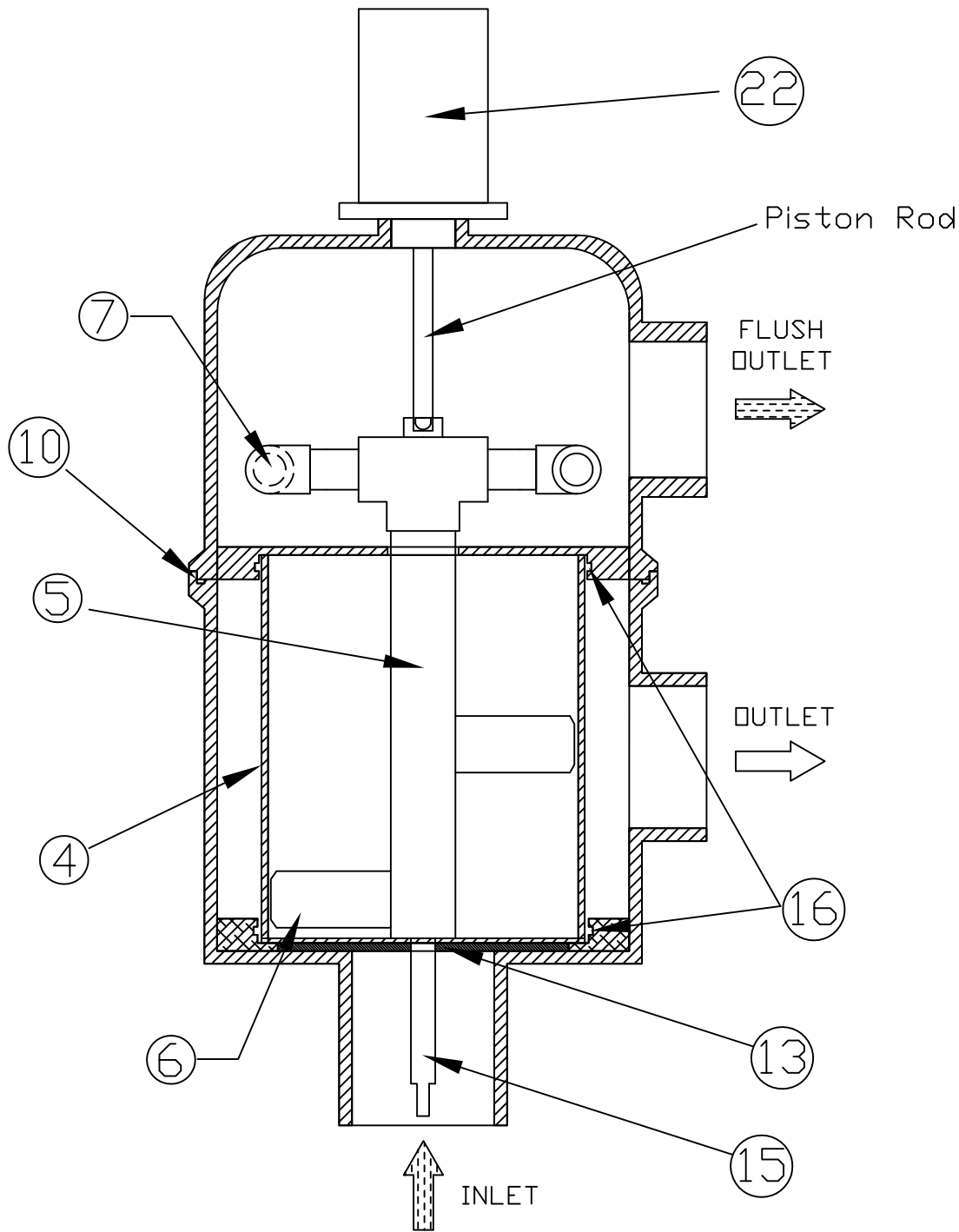


REVISIONS				
REV	ZONE	DESCRIPTION	DATE	APPROVED
1	4B	ADDED SCREEN BAR. R.E. ITEM 13.	09/19/11	S.P.



- 4) Fine Screen
- 5) Dirt Collector
- 6) Dirt Collector Nozzle
- 7) Hydraulic Motor
- 10) Cover Seal
- 13) Screen Bar
- 15) Dirt Collector Rod
- 16) Upper/Lower O-Ring
- 22) Hydraulic Piston

UNLESS OTHERWISE SPECIFIED DIMENSIONS ARE IN INCHES TOLERANCES DECIMALS    ANGULAR .XX ± .05    ± 0.5 DEG. .XXX ± .01		AUTOMATIC FILTERS, INC. 2672 S. LA CIENEGA BLVD. LOS ANGELES, CA 90034 (310) 839-2828 FAX (310) 839-6878		
DRAWN Daniel Stenberg		DATE 2-9-06		TITLE Cutaway of MTF
CHECKED		SIZE A	DWG NO. MTF-CUT	REV 1
DESIGN		SCALE 1/6		SHEET 1 OF 1