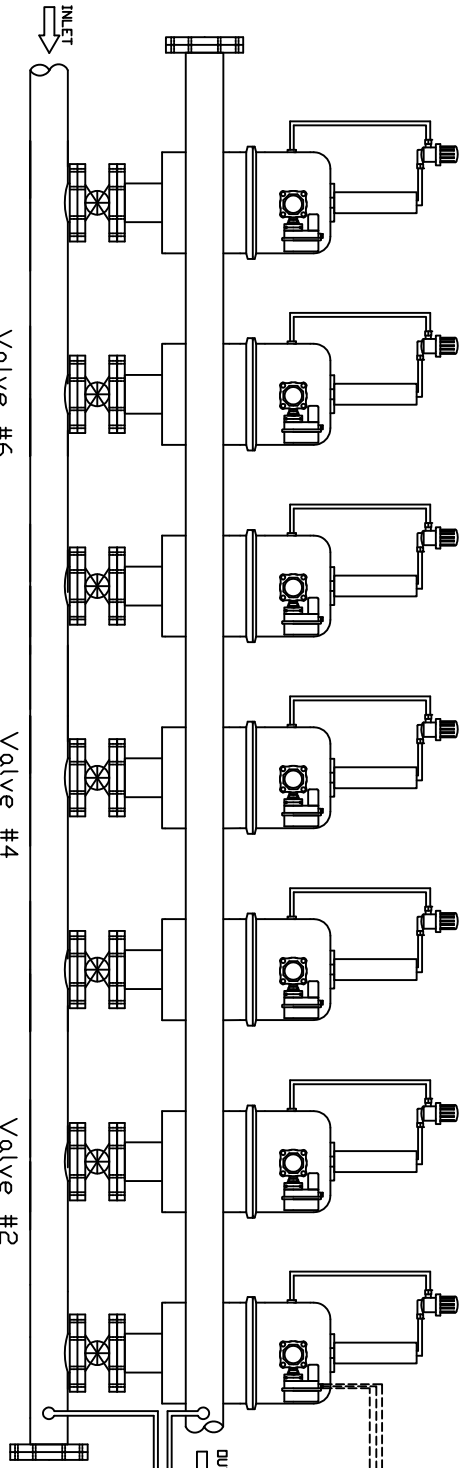
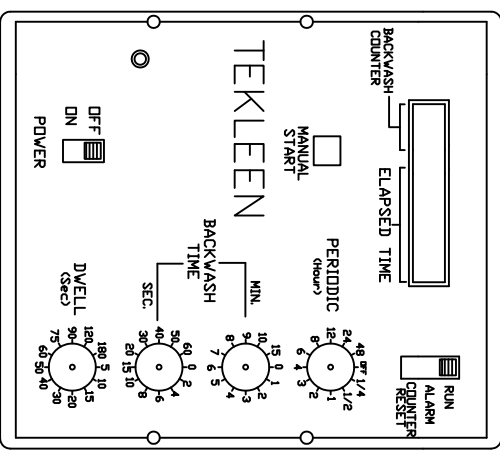


REVISIONS		DATE	APPROVED
ZONE	REV	DESCRIPTION	

GB8 CONTROLLER



Valve #1
Connections:
Red: Y (left)
Black: Y (right)
White: 1

Valve #3
Connections:
Red: Y (left)
Black: Y (right)
White: 3

Valve #5
Connections:
Red: Y (left)
Black: Y (right)
White: 5

Valve #7
Connections:
Red: Y (left)
Black: Y (right)
White: 7

Valve #2
Connections:
Red: Y (left)
Black: Y (right)
White: 2

Valve #4
Connections:
Red: Y (left)
Black: Y (right)
White: 4

Valve #6
Connections:
Red: Y (left)
Black: Y (right)
White: 6

UNLESS OTHERWISE SPECIFIED DIMENSIONS ARE IN INCHES		TITLE	
DECIMALS .XX ± .05	ANGULAR ± .05 DEG.	AUTOMATIC FILTERS, INC. 7 MTF FILTERS IN PARALLEL WITH GB8 CONTROLLER & ELECTRIC BALL VALVES	
DRAWN S. PERKINSON	DATE 11/16/10	SIZE A	DWG NO. 7MTFGB8-EBV-LAY-01
CHECKED		NOT TO SCALE	REV N/A
DESIGN FOR			SHEET 1 OF 1