

1

2

3

4

5

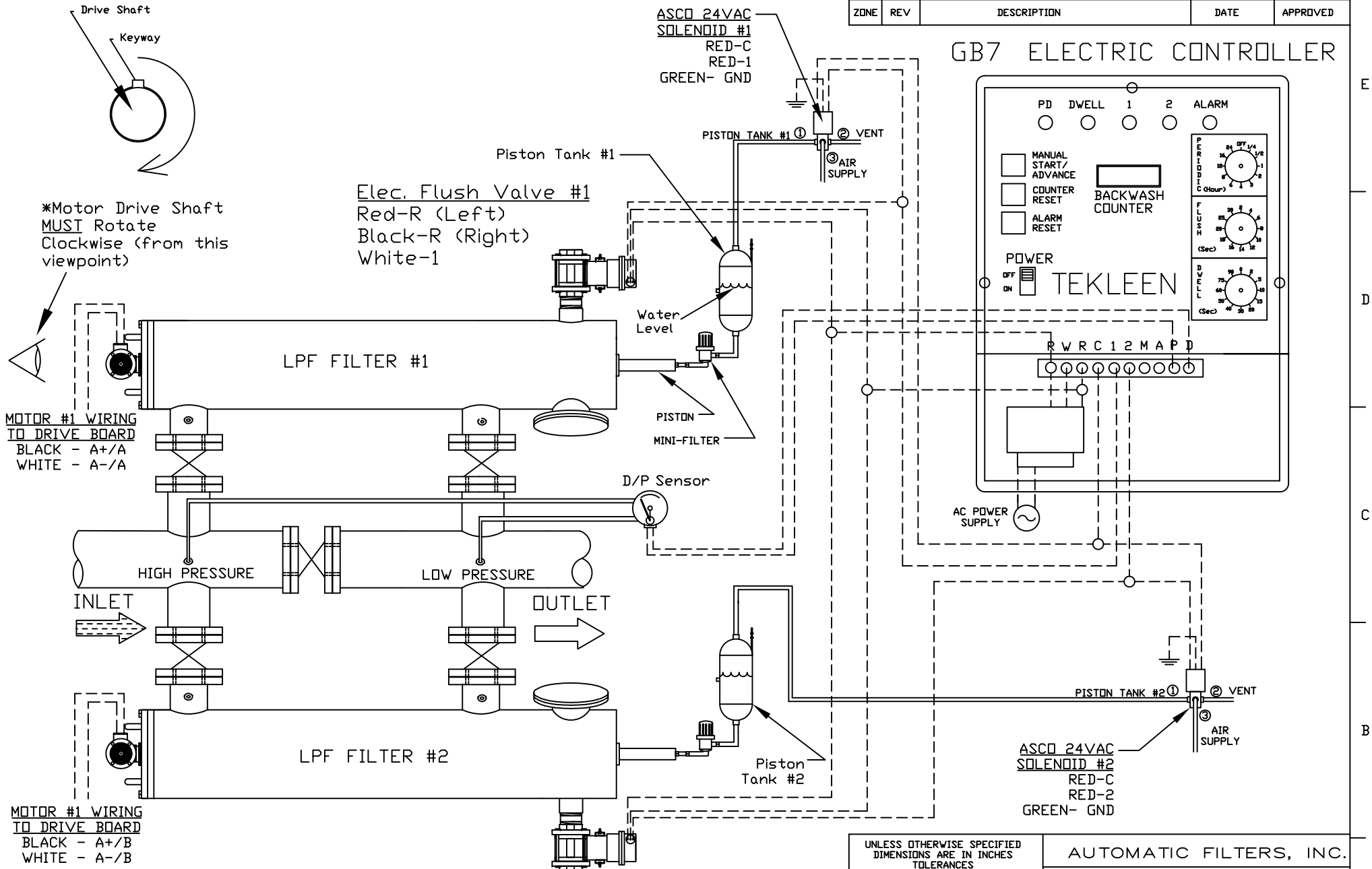
6

7

8

REVISIONS				
ZONE	REV	DESCRIPTION	DATE	APPROVED

# GB7 ELECTRIC CONTROLLER



\*Motor Drive Shaft  
MUST Rotate  
Clockwise (from this  
viewpoint)

Elec. Flush Valve #1  
Red-R (Left)  
Black-R (Right)  
White-1

MOTOR #1 WIRING  
TO DRIVE BOARD  
BLACK - A+/A  
WHITE - A-/A

MOTOR #1 WIRING  
TO DRIVE BOARD  
BLACK - A+/B  
WHITE - A-/B

Elec. Flush Valve #2  
Red-R (Left)  
Black-R (Right)  
White-2

SEE CONTROLLER WIRING DRAWING  
FOR DRIVE BOARD CONNECTIONS.  
(DWG# WIRE-2LPFGB7-CON-03)

UNLESS OTHERWISE SPECIFIED DIMENSIONS ARE IN INCHES TOLERANCES		AUTOMATIC FILTERS, INC.		
DECIMALS .XX ± .05 .XXX ± .01	ANGULAR ± 0.5 DEG.	TITLE Wiring Layout for 2 LPF Filters with GB7 Controller, Piston Tanks, and Electric Flush Valves.		
DRAWN A. HOCKETT	DATE 8-12-10	SIZE A	DWG NO. WIRE-2LPFGB7-LAY-03	REV
CHECKED		NOT TO SCALE		SHEET 1 OF 1
DESIGN FOR:				