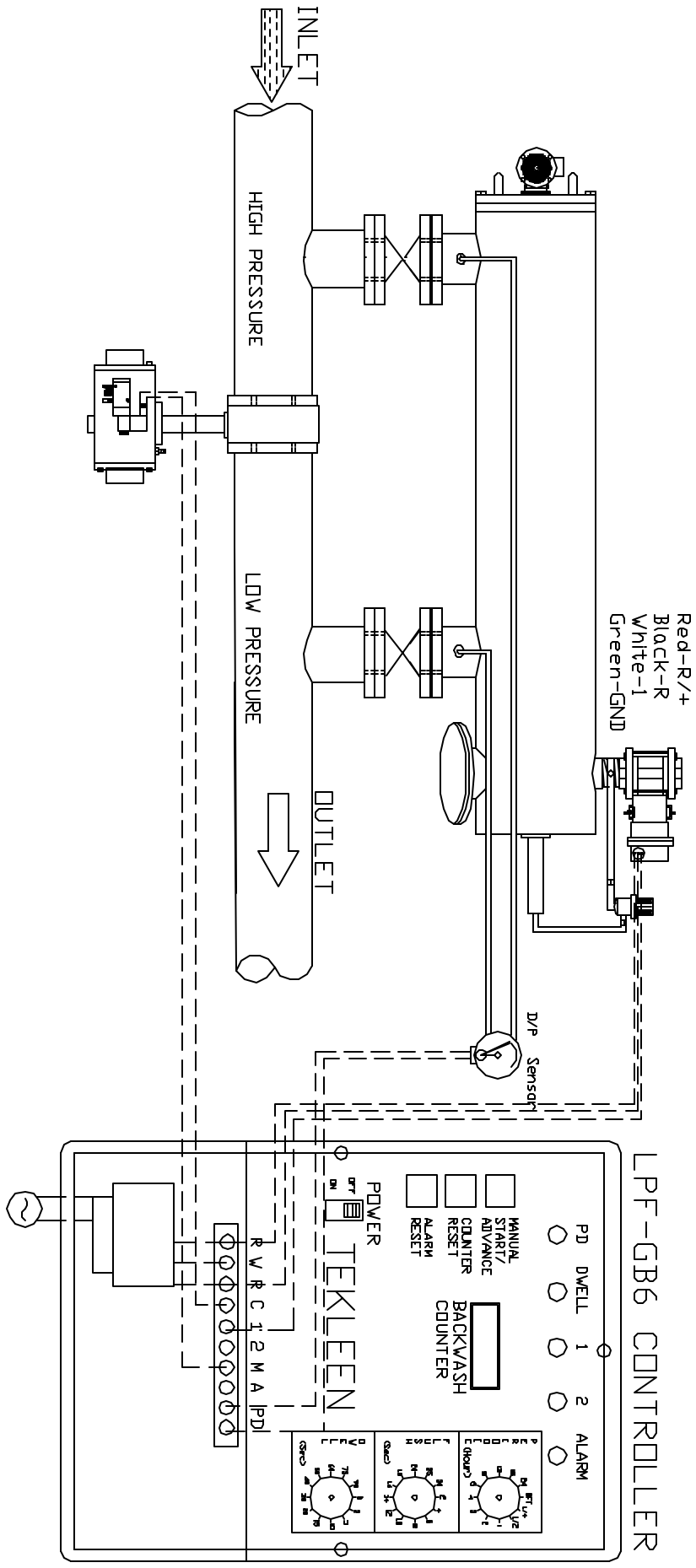


REVISONS		DATE	APPROVED
ZONE	REV	DESCRIPTION	



UNLESS OTHERWISE SPECIFIED DIMENSIONS ARE IN INCHES TOLERANCES		TITLE	
DECIMALS XX ± .03	ANGULAR ± .05 DEG.	AUTOMATIC FILTERS, INC.	
XX ± .01		LPF Filter	
DRAWN Doniel Steniero	DATE 7-10-09	Emergency Bypass Valve	
CHECKED		SIZE A	DWG NO. LPF GB6 BPV
DESIGN FTR.		NO TO SCALE	REV 0
		SHEET	OF

A

B

C

D

E

1 2 3 4 5 6 7 8