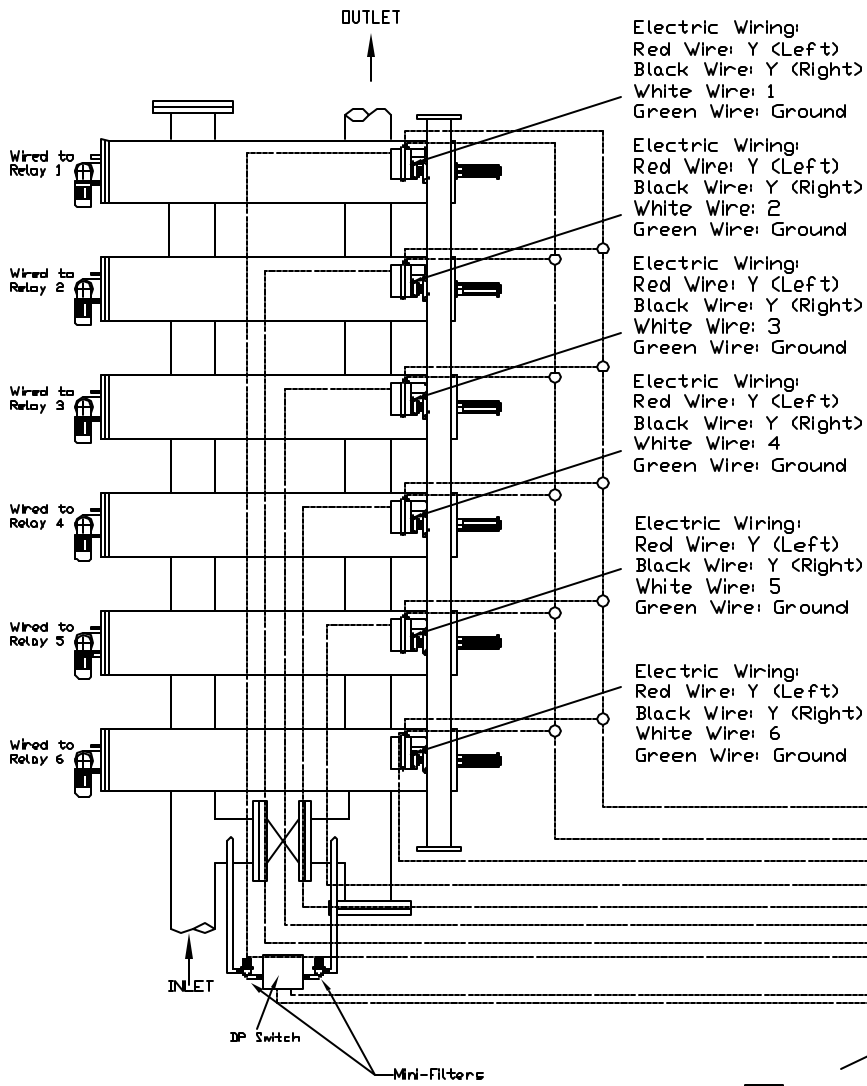
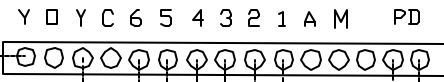
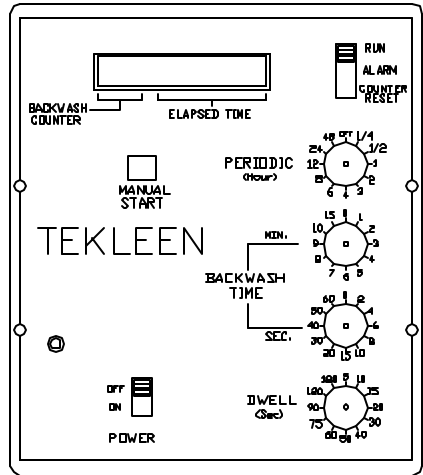


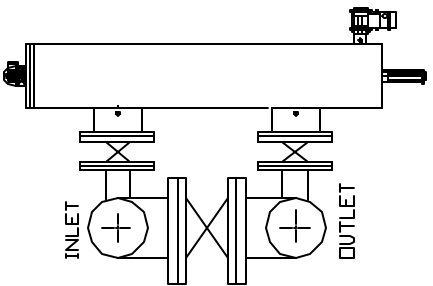
REVISIONS				
ZONE	REV	DESCRIPTION	DATE	APPROVED



- Electric Wiring:
Red Wire: Y (Left)
Black Wire: Y (Right)
White Wire: 1
Green Wire: Ground
- Electric Wiring:
Red Wire: Y (Left)
Black Wire: Y (Right)
White Wire: 2
Green Wire: Ground
- Electric Wiring:
Red Wire: Y (Left)
Black Wire: Y (Right)
White Wire: 3
Green Wire: Ground
- Electric Wiring:
Red Wire: Y (Left)
Black Wire: Y (Right)
White Wire: 4
Green Wire: Ground
- Electric Wiring:
Red Wire: Y (Left)
Black Wire: Y (Right)
White Wire: 5
Green Wire: Ground
- Electric Wiring:
Red Wire: Y (Left)
Black Wire: Y (Right)
White Wire: 6
Green Wire: Ground



- ○ Relay 1
- ○ Relay 2
- ○ Relay 3
- ○ Relay 4



UNLESS OTHERWISE SPECIFIED DIMENSIONS ARE IN INCHES		AUTOMATIC FILTERS, INC.	
TOLERANCES		TITLE	
DECIMALS	ANGULAR	6 LPFXX-P Filters In Parallel	
.XX ± .05	± 0.5 DEG.	SIZE	REV
.XXX ± .01		A	0
DRAWN	DATE	DWG NO.	
Donal Stenkerg	6-6-06	6LPFXX-P	
CHECKED		SHEET 1 OF 1	
DESIGN			