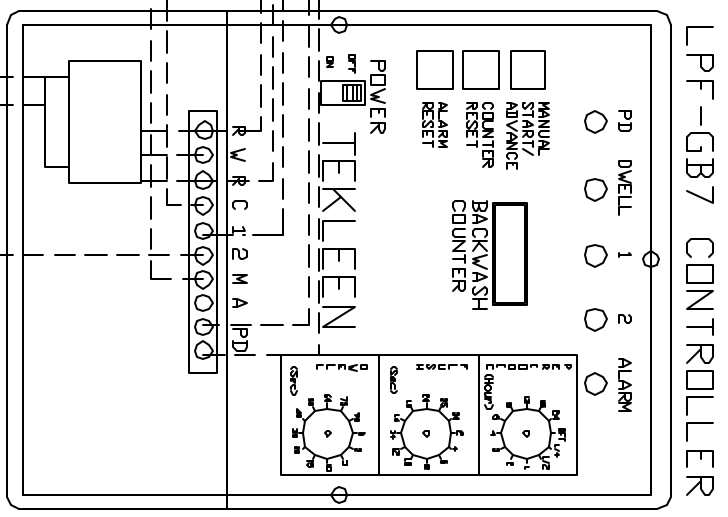
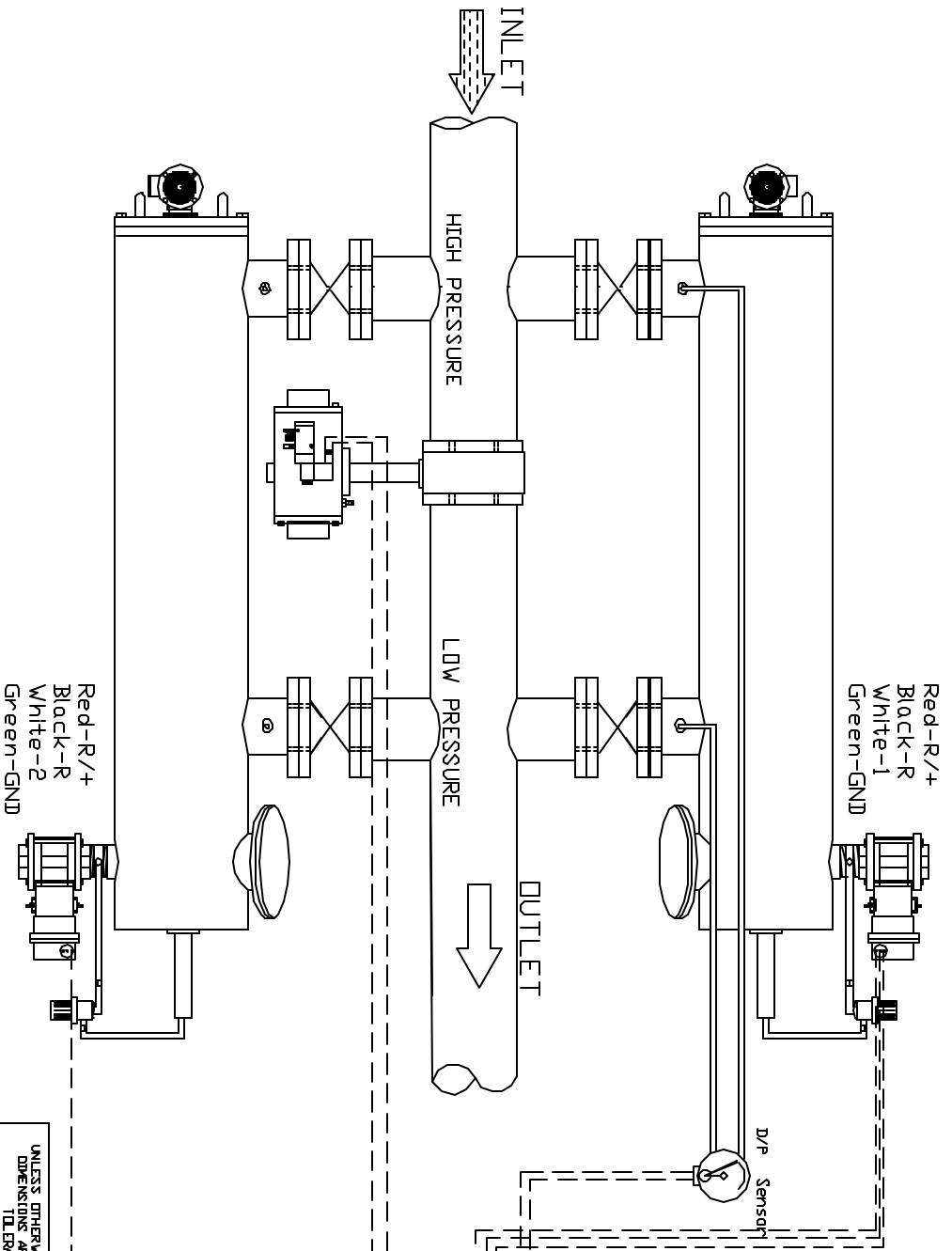


REVISONS		DATE	APPROVED
ZONE	REV	DESCRIPTION	



UNLESS OTHERWISE SPECIFIED DIMENSIONS ARE IN INCHES TOLERANCES		TITLE	
DECIMALS	ANGULAR	AUTOMATIC FILTERS, INC.	
XX ± .03	± 0.5 DEG.	2XLPF Filters	
XXX ± .01		Emergency Bypass Valve	
DRAWN	DATE	SIZE	DWG NO.
Doniel Stenopero	8-5-09	A	LPF GB6 BPV
CHECKED			REV
DESIGN FOR:		NO TO SCALE	0
		SHEET	OF