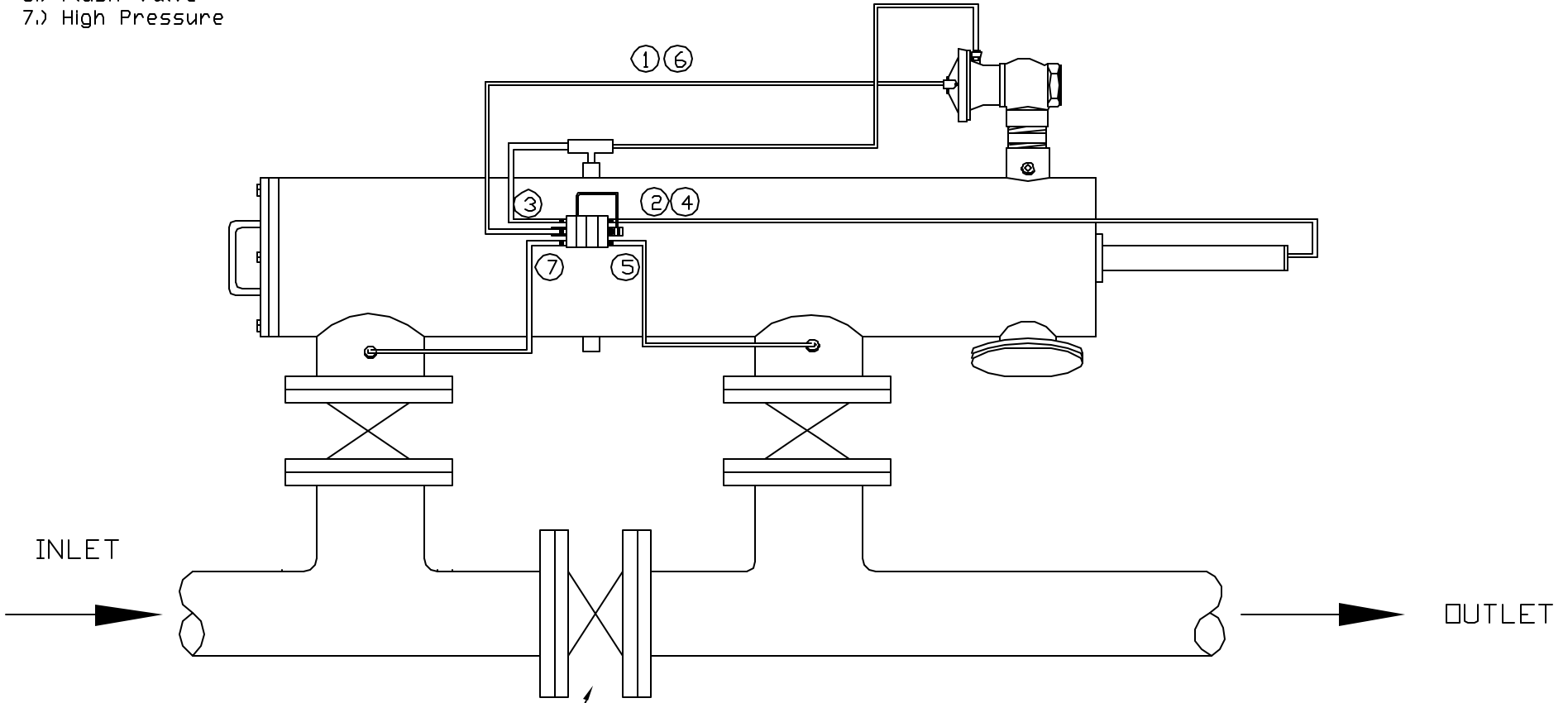


1      2      3      4      5      6      7      8

Rinse Controller Connections

- 1.) Flush Valve
- 2.) Piston
- 3.) Water Supply
- 4.) Piston
- 5.) Low Pressure
- 6.) Flush Valve
- 7.) High Pressure

REVISIONS				
ZONE	REV	DESCRIPTION	DATE	APPROVED



INLET

OUTLET

BY-PASS VALVE

UNLESS OTHERWISE SPECIFIED  
DIMENSIONS ARE IN INCHES  
TOLERANCES  
DECIMALS      ANGULAR  
XX ± .05      ± 0.5 DEG  
XXX ± .01

AUTOMATIC FILTERS, INC.  
2672 S. LA CIENEGA BLVD.  
LOS ANGELES, CA 90034  
(310) 839-2828 FAX (310) 839-6878

TITLE  
**ABWxxLP FILTER  
HYDRAULIC CONTROLLER**

DRAWN  
Daniel Stenberg

DATE  
2-24-96

CHECKED

DESIGN

SIZE A	DWG NO. ABW-2in	REV 0
-----------	--------------------	----------

SCALE 1:14	SHEET	OF
------------	-------	----

E

D

C

B

A