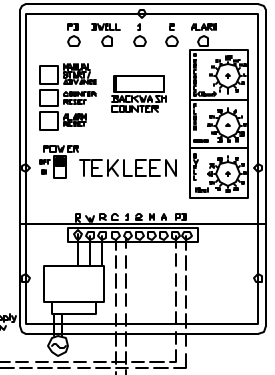


1 2 3 4 5 6 7 8

REVISIONS				
ZONE	REV	DESCRIPTION	DATE	APPROVED

VACUUM BREAKER (SCREWED INTO PIPE)  
TO PREVENT WATER HAMMERING

GB6 ELECTRIC CONTROLLER

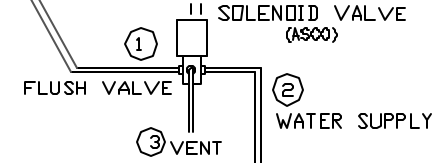


HIGH PRESSURE (RED FITTING)

LOW PRESSURE (BLUE FITTING)

D/P SWITCH

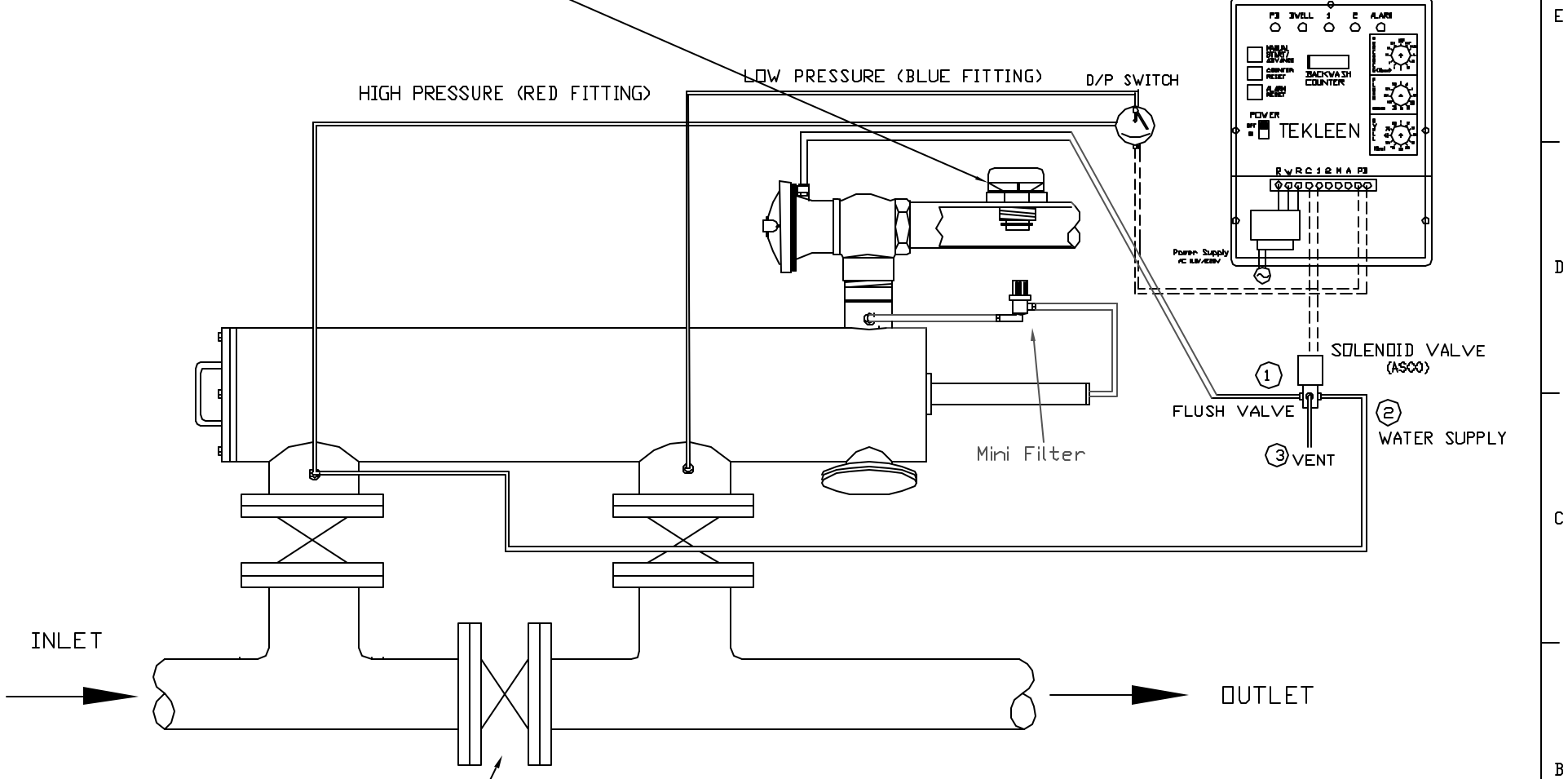
Mini Filter



INLET

OUTLET

BY-PASS VALVE



UNLESS OTHERWISE SPECIFIED DIMENSIONS ARE IN INCHES TOLERANCES DECIMALS ANGULAR .XX ± .05 ± 0.5 DEG .XXX ± .01		AUTOMATIC FILTERS, INC. 2672 S. LA CIENEGA BLVD. LOS ANGELES, CA 90034 (310) 839-2828 FAX (310) 839-6878	
DRAWN Daniel Stenberg		DATE 3-4-06	
CHECKED		TITLE ABWxxP FILTER Hydraulic Flush Valve	
DESIGN		SIZE A	DWG NO. ABW-2In
NTS		REV 0	SHEET OF