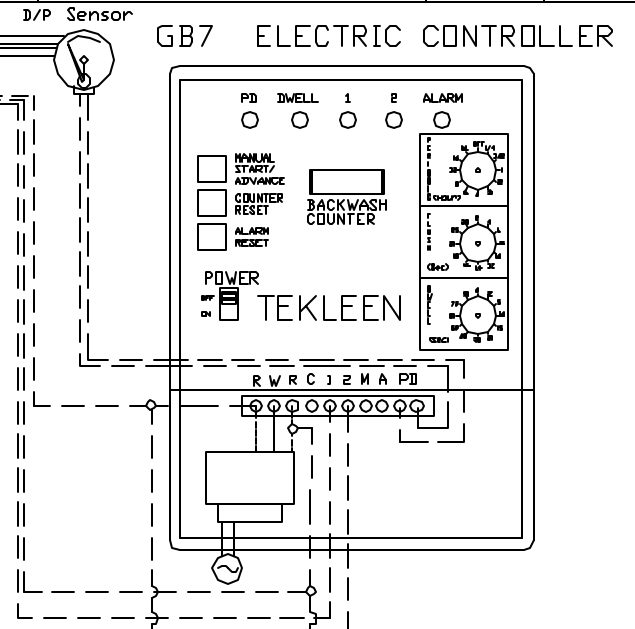


1 2 3 4 5 6 7 8

HIGH PRESSURE

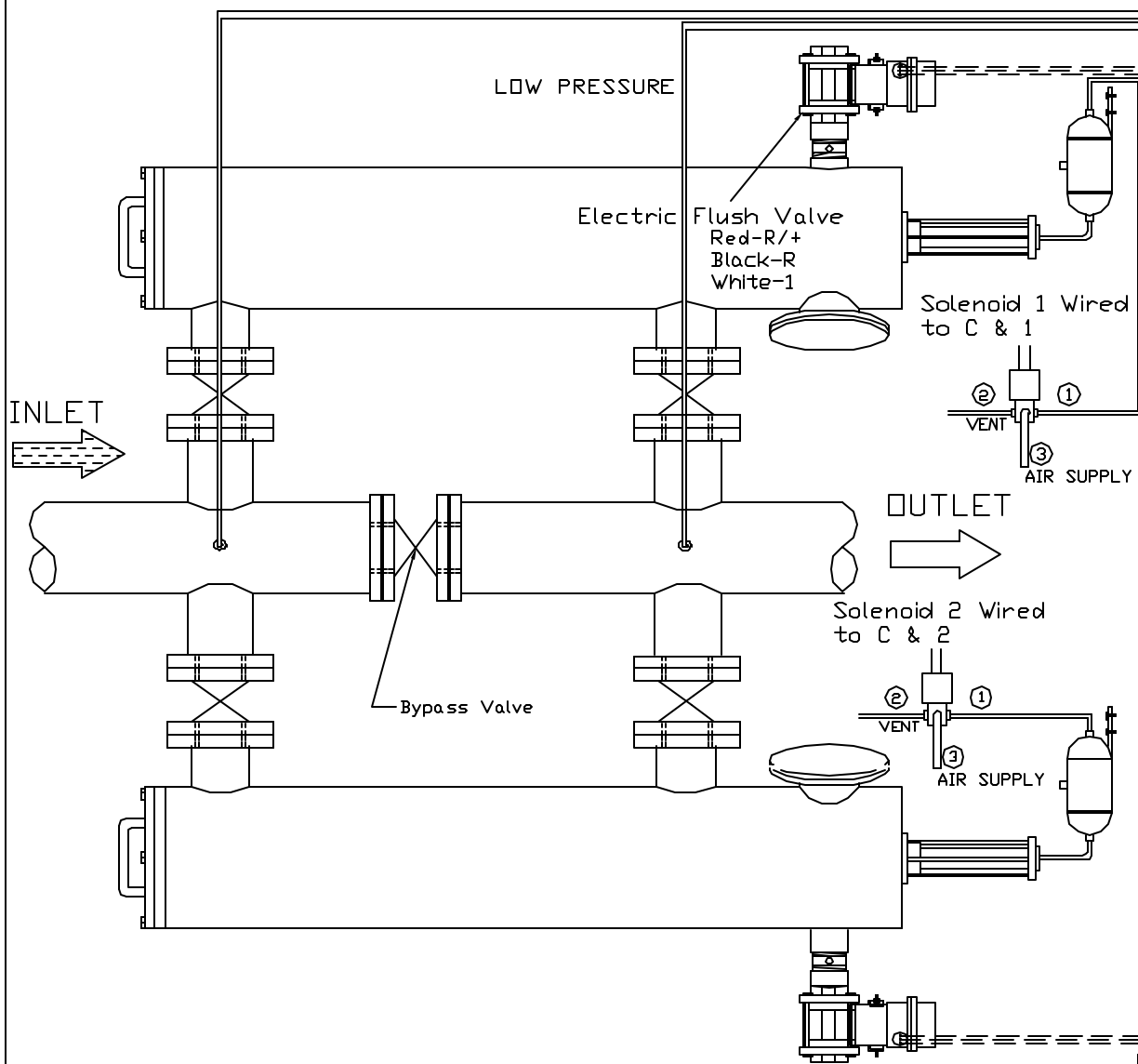
LOW PRESSURE

REVISIONS				
ZONE	REV	DESCRIPTION	DATE	APPROVED



INLET

OUTLET



----- Electrical Connection

----- Hydraulic Connection

Red-R/+  
Black-R  
White-2  
Green-GND

UNLESS OTHERWISE SPECIFIED DIMENSIONS ARE IN INCHES TOLERANCES		AUTOMATIC FILTERS, INC.	
DECIMALS .XX ± .05 XXX ± .01		TITLE Two ABW Filters In Parallel Piston Tanks	
DRAWN Daniel Stenborg	DATE 5-10-06	SIZE A	DWG NO. 2FV-ABW
CHECKED		REV 0	
DESIGN FOR		NOT TO SCALE	SHEET OF