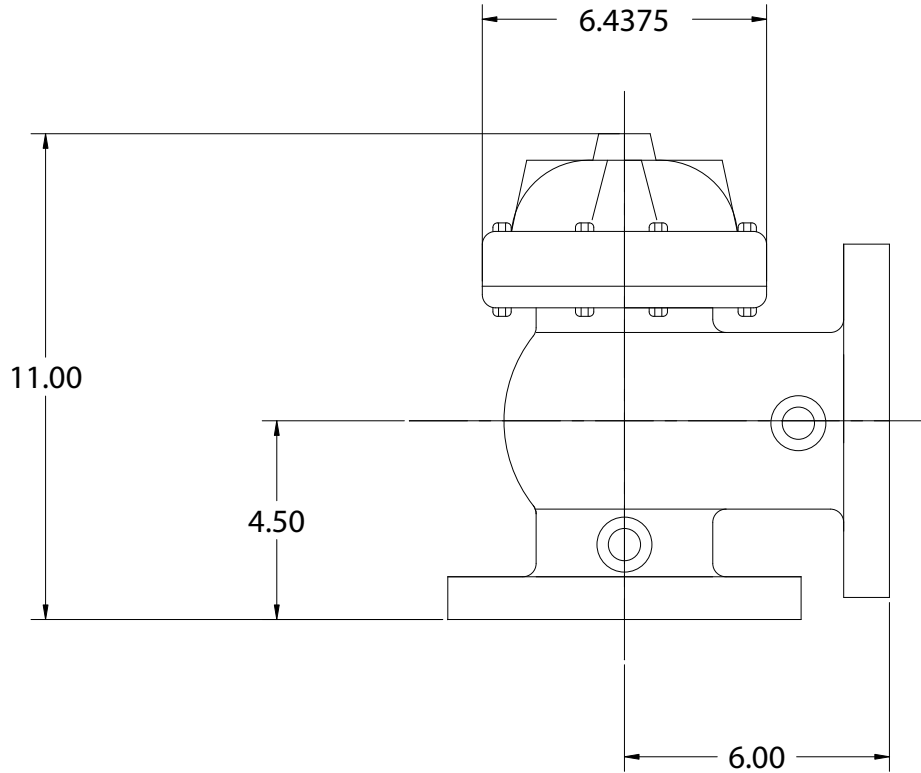


1 2 3 4 5 6 7 8

REVISIONS				
ZONE REV	DESCRIPTION	DATE	APPROVED	



Weight: 44 lbs

UNLESS OTHERWISE SPECIFIED DIMENSIONS ARE IN INCHES TOLERANCES DECIMALS ANGULAR .XX + .05 ± 0.5 DEG. .XXX + .01		<b>AUTOMATIC FILTERS, INC.</b> 2672 S. LA CIENEGA BLVD. LOS ANGELES, CA 90034 (310) 839-2828 FAX (310) 839-6878		
DRAWN <b>DMITRIY POLISHCHUK</b>		DATE 9-15-03		
CHECKED		TITLE <b>3" Flushing Valve</b>		
DESIGN		SIZE <b>A</b>	DWG NO. <b>3in flushing valve</b>	REV <b>0</b>
SCALE 1:6		SHEET OF		

E

D

C

B

A