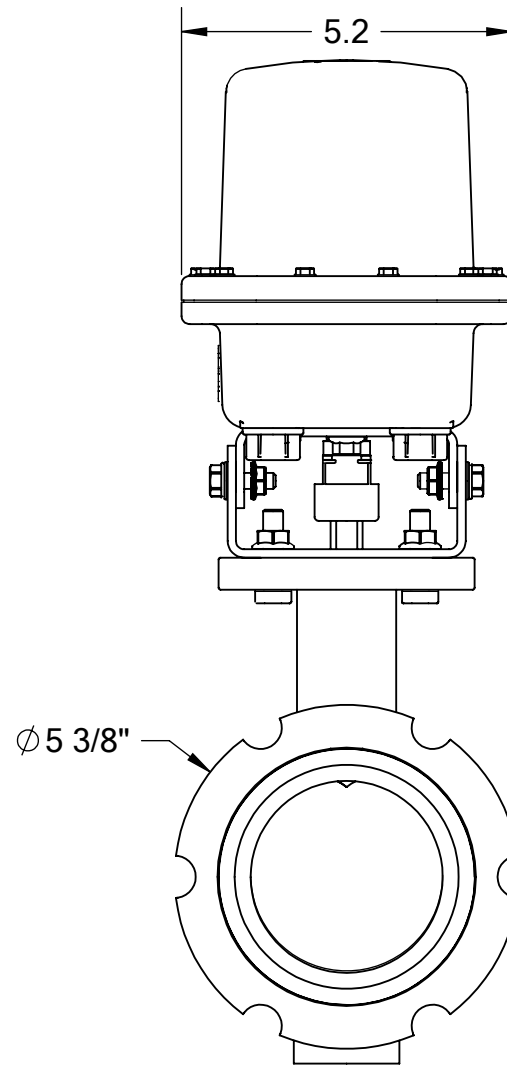


REVISIONS				
REV.	ZONE	DESCRIPTION	DATE	INITIAL



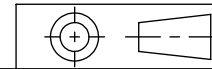
TECHNICAL DATA

CONNECTION	3"
FLOW COEFFICIENT (Cv)	720
TEMPERATURE RANGE	-40°F-250°F (EPDM SEATS)
MAX. PRESSURE	150 PSI @ 70°F
WEIGHT	15 LBS.
VOLTAGE	24 VAC
CURRENT	2 Amp

TOLERANCES
(UNLESS OTHERWISE SPECIFIED)

FRAC. $\pm 1/16$
 .X $\pm .1$
 .XX $\pm .05$
 .XXX $\pm .010$

ANGLE $\pm 1^\circ$



TEKLEEN
Automatic Filters Inc.
 2672 S. LA CIENEGA BLVD.
 LOS ANGELES, CA 90034
 MAIN: (310) 839-2828
 FAX: (310) 839-6878

MATERIAL:	VARIES
DRAWN BY:	S. PERKINSON
DATE:	10/22/12
SCALE:	1:3

TITLE: 3" ELECTRIC BUTTERFLY VALVE	
DRAWING NUMBER	REV
VALVE-3INCH-ELECTRIC-BUTTERFLY-01	N/A