

TEKLEEN

(310)839-2828 (800)336-1942 FAX:(310)839-6878
 2672 South La Cienega Blvd., Los Angeles, CA 90034
 EMail: Info@tekleen.com Web Site: www.tekleen.com

GB6/7 ELECTRONIC CONTROLLER

TEKLEEN state of the art electronic backwash controllers are complete with a solenoid, differential pressure sensor, backwash counter, and emergency alarm output. Available in 115/230 volts or battery operated, 9V/12V.

GB6 electronic controllers control one filter. GB7 controllers can control up to two filters at the same time.

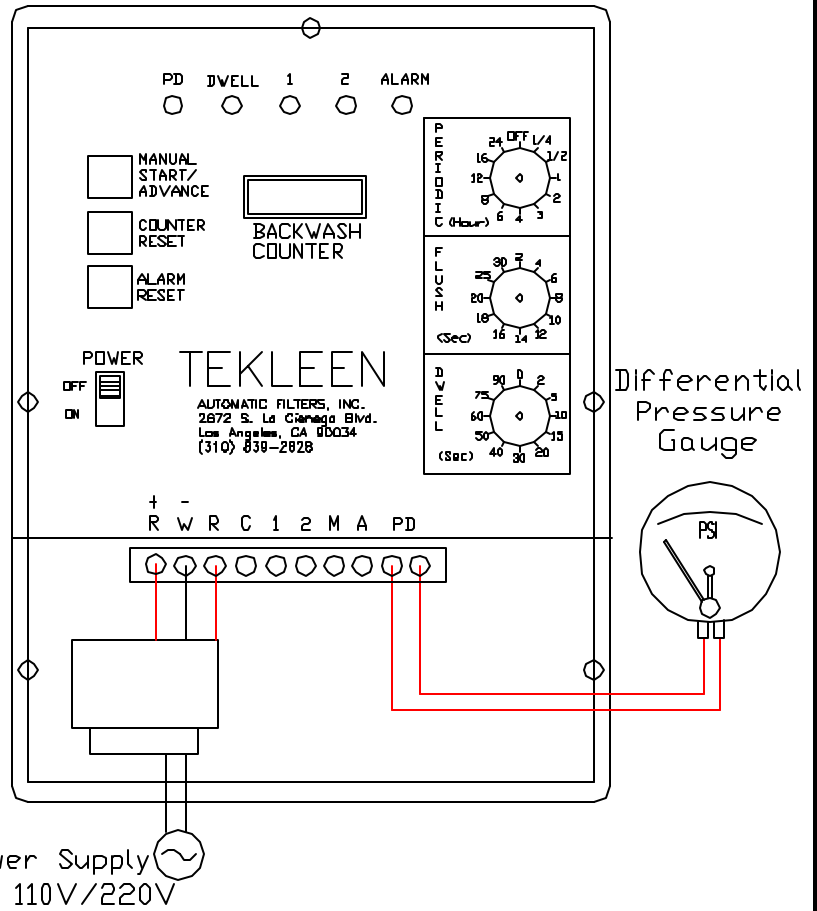
Filters can be cleaned in three different ways: automatically by differential pressure, automatically by preset timer, or manually by operator.

FEATURES

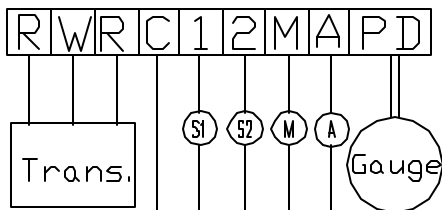
- *Alarm will light if B/W 3 times in 2 min.
- *LCD Display Panel
- *Back Flush Counter
- *Back Flush Alarm
- *Periodic Flush Timer
- *Manual Back Flush
- *Weather-proof, UV resistant plastic protective case

SPECIFICATIONS

- *Input: 115/230 VAC, 50/60 Hz or 9/12 VDC
- *Output: 2.5 amps at 24VAC or 12VDC
- *Efficiency: Less than 20 milliamps (idle)
- *Dimensions: 10" x 7.5" x 4" (LxWxH)
- *Weight: 4 lbs.



WIRING DIAGRAM



- R: red wire (Transformer)
- W: white wire (Transformer)
- C: common
- 1: terminal 1
- 2: terminal 2
- M: master valve
- A: alarm output
- PD: differential gauge