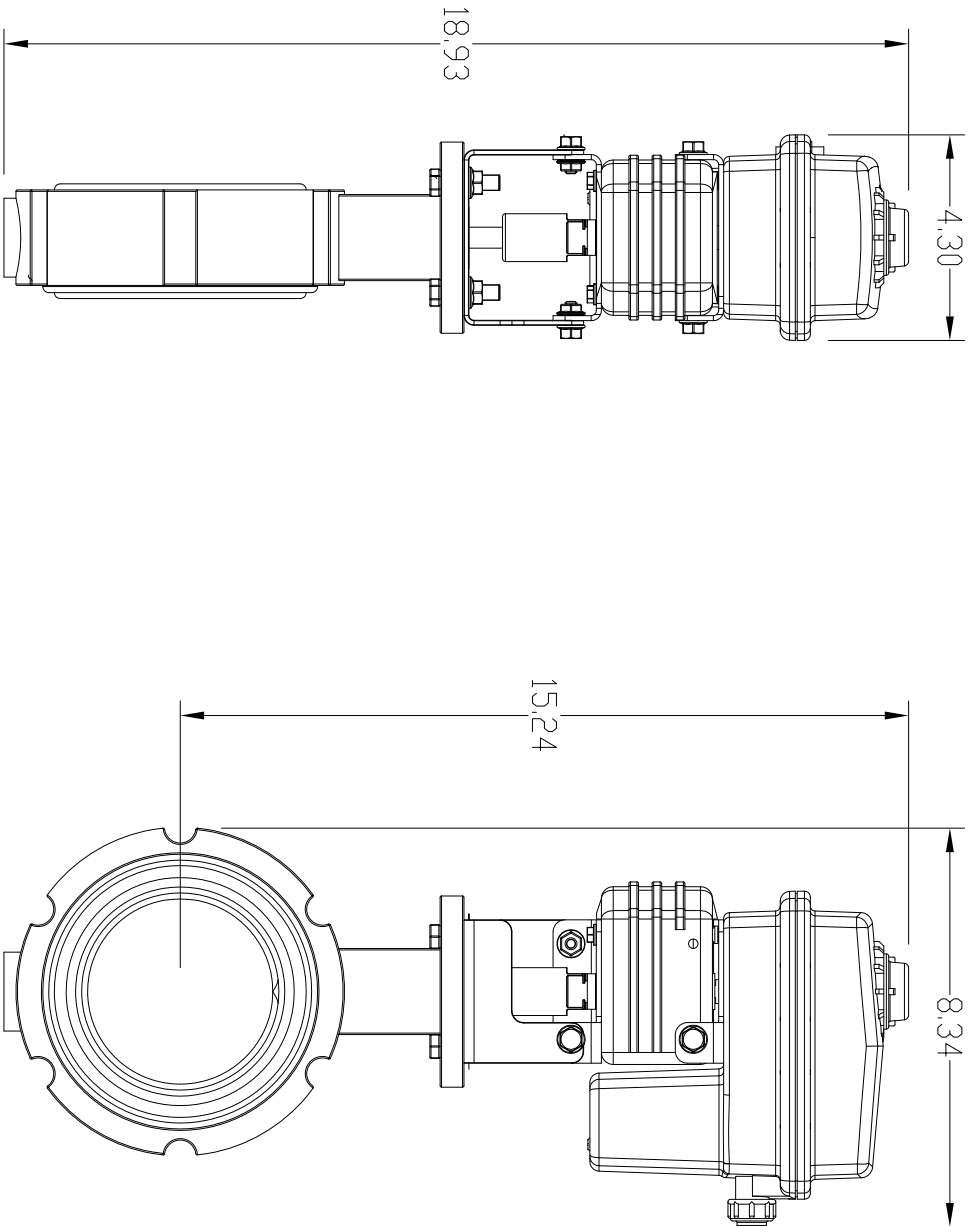


1 2 3 4 5 6 7 8

REVISIONS				
ZONE	REV	DESCRIPTION	DATE	APPROVED



TECHNICAL DATA

Connection 4 Inch  
 Valve Coefficient 1366  
 Working Temp. 200 deg. F  
 Working Pressure 175 PSI  
 Weight 15 lbs.  
 Voltage 24 VAC  
 Current 2 Amp

UNLESS OTHERWISE SPECIFIED  
 DIMENSIONS ARE IN INCHES  
 DECIMALS TOLERANCES  
 ANGULAR ± 0.5 DEG.  
 .XXX ± .01

DRAWN DANIEL STENBERG	DATE 12-09-08
CHECKED	
DESIGN	

AUTOMATIC FILTERS, INC.  
 2672 S. LA CIENEGA BLVD.  
 LOS ANGELES, CA 90034  
 (310) 839-2828 FAX (310) 839-6878

TITLE  
 Electric Butterfly Valve  
 Dimensions 4"

SIZE A	DWG NO.		SHEET 	OF 
			REV 0	