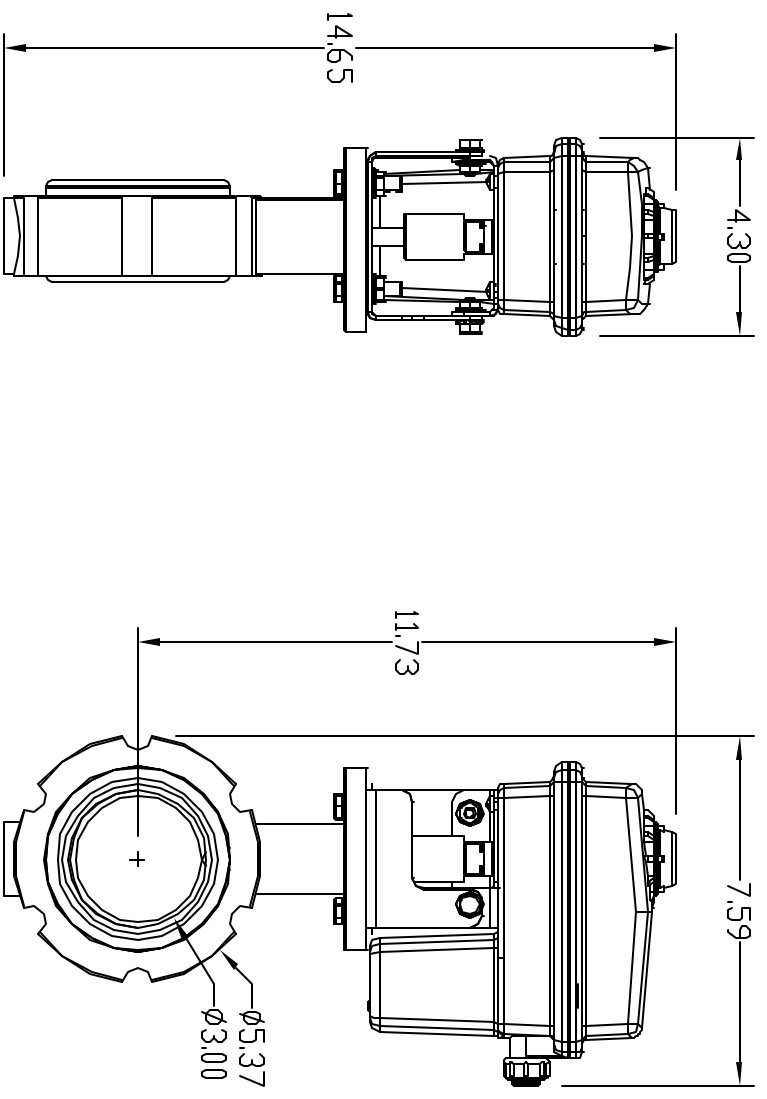


REVISIONS				
ZONE	REV	DESCRIPTION	DATE	APPROVED



TECHNICAL DATA

Connection 3 Inch
 Valve Coefficient 720
 Working Temp. 200 deg. F
 Working Pressure 175 PSI
 Weight 15 lbs.
 Voltage 24 VAC
 Current 2 Amp

UNLESS OTHERWISE SPECIFIED
 DIMENSIONS ARE IN INCHES
 DECIMALS TO THIRDS
 ANGULAR ± 0.5 DEGS
 .XXX ± .01

AUTOMATIC FILTERS, INC.
 2672 S. LA CIENEGA BLVD.
 LOS ANGELES, CA 90034
 (310) 839-2828 FAX (310) 839-6878

DRAWN DANIEL STENBERG DATE 2-24-09
 CHECKED DESIGN
 TITLE Electric Butterfly Valve
 Dimensions 3"

SIZE	DWG NO.	REV
A		0
DESIGN		SHEET OF