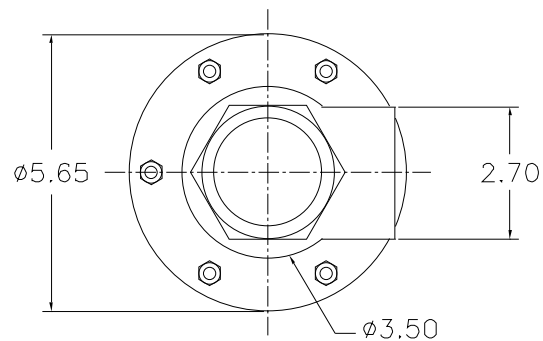
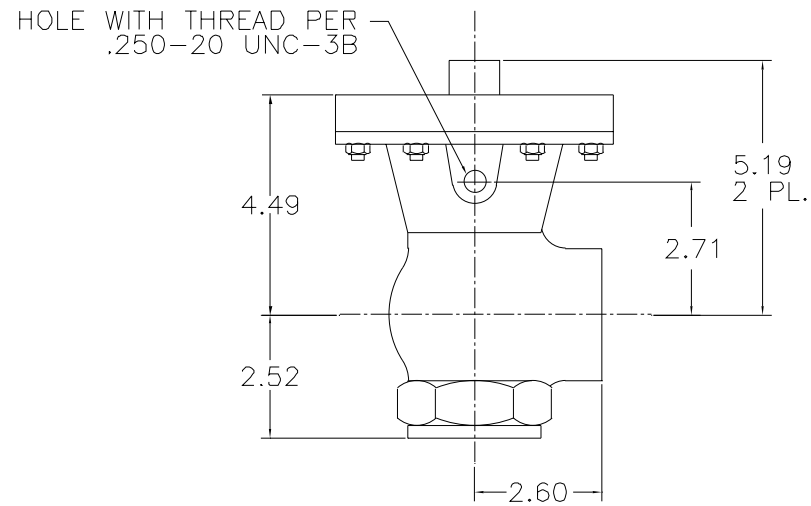
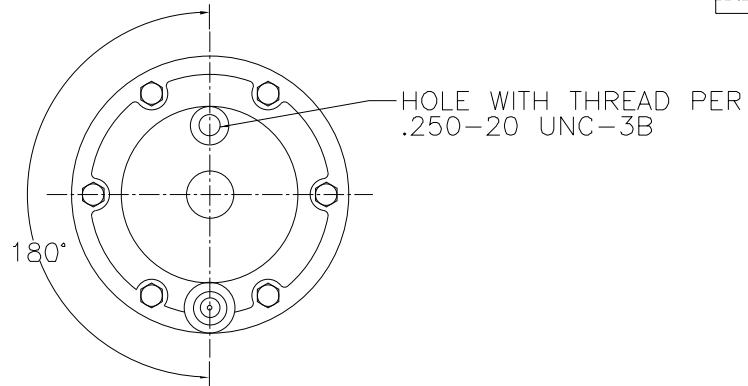


REVISIONS				
ZONE	REV	DESCRIPTION	DATE	APPROVED



UNLESS OTHERWISE SPECIFIED
DIMENSIONS ARE IN INCHES

TOLERANCES

DECIMALS ANGULAR

.XX ± .05 ± 0.5 DEG.

.XXX ± .01

DRAWN	DATE
Jae H. Ji	5/22/02
CHECKED	
DESIGN	

AUTOMATIC FILTERS, INC.

TITLE

2" FLUSH VALVE

SIZE	DWG NO.	REV
A	2VALVE	0
		SHEET 1 OF 1

E

D

C

B

A