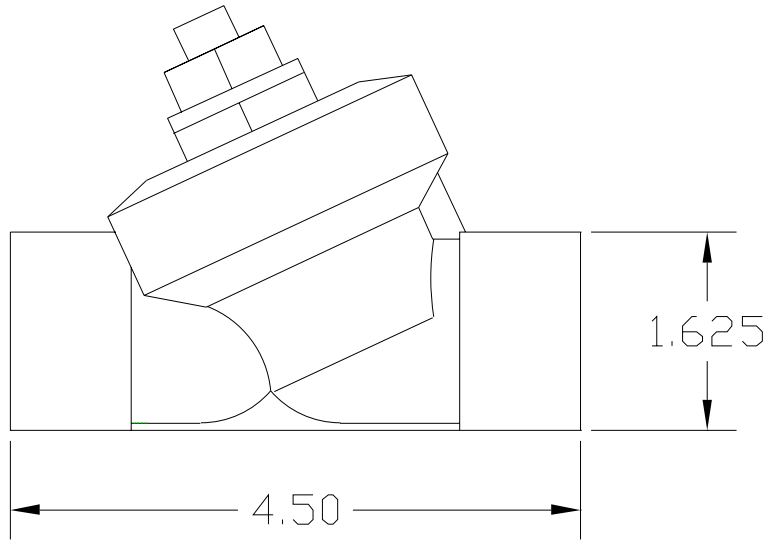


1 2 3 4 5 6 7 8

REVISIONS				
ZONE	REV	DESCRIPTION	DATE	APPROVED



UNLESS OTHERWISE SPECIFIED DIMENSIONS ARE IN INCHES TOLERANCES DECIMALS ANGULAR .XX ± .05 ± 0.5 DEG. .XXX ± .01		AUTOMATIC FILTERS, INC. 2672 S. LA CIENEGA BLVD. LOS ANGELES, CA 90034 (310) 839-2828 FAX (310) 839-6878		
DRAWN		TITLE		
C. Lin		1" FLUSHING VALVE PLASTIC		
CHECKED		SIZE	DWG NO.	REV
DESIGN		A	1 VALVE-PLASTIC	0
		SCALE 1:14	SHEET	OF