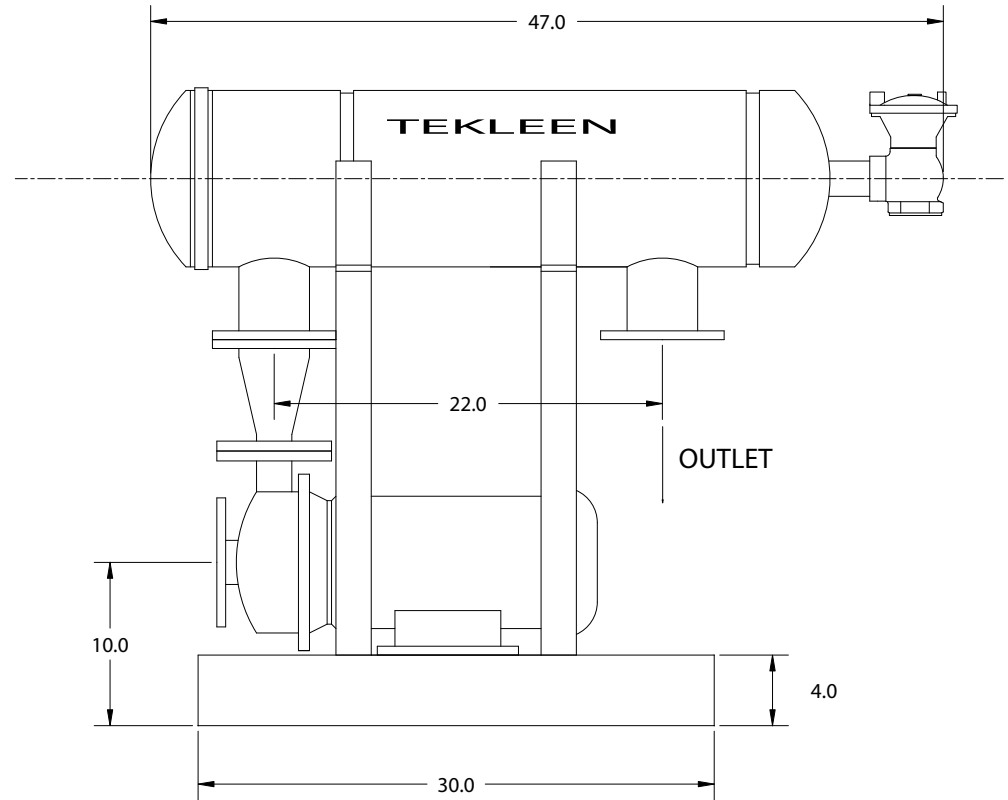
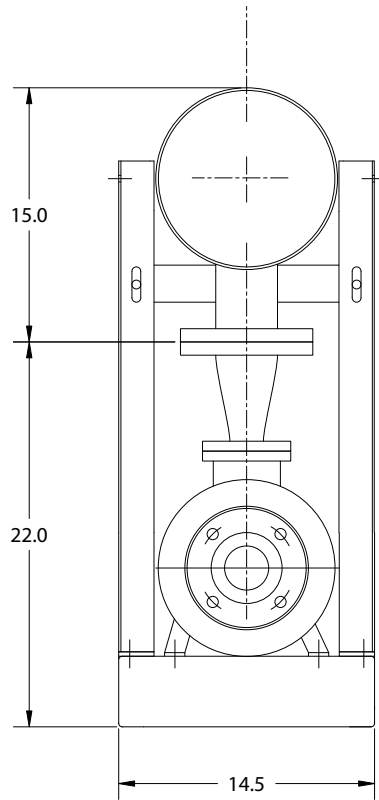


1 2 3 4 5 6 7 8



FLOWRATE: MAX 400GPM
MAX. PRESS: 125PSI
PUMP POWER: 10HP
WEIGHT: 300LBS

<small>UNLESS OTHERWISE SPECIFIED DIMENSIONS ARE IN INCHES TOLERANCES DECIMALS ANGULAR .XX + .05 ± 0.5 DEG. .XXX + .01</small>		AUTOMATIC FILTERS, INC. 2672 S. La Cienega Blvd. Los Angeles, CA 90034 (310) 839-2828 FAX (310) 839-6878		
		TITLE OBF4-P SKID UNIT		
DRAWN DMITRIY POLISHCHUK	DATE 9-19-03	SIZE A	DWG NO. skid-obf4p	REV 0
CHECKED	DESIGN	SHEET OF		

E
D
C
B
A