

1

2

3

4

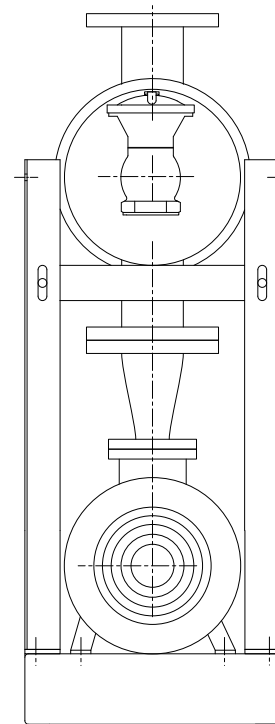
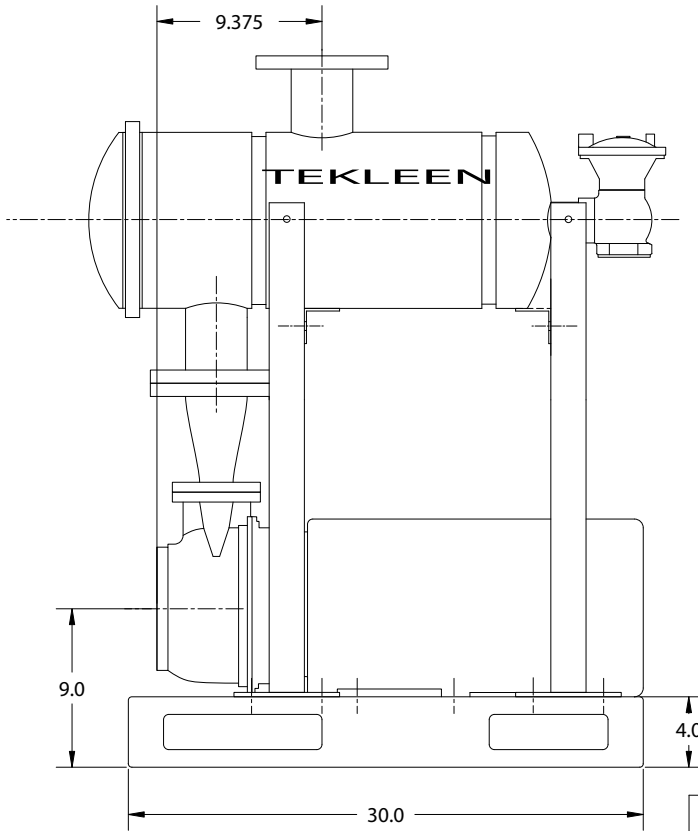
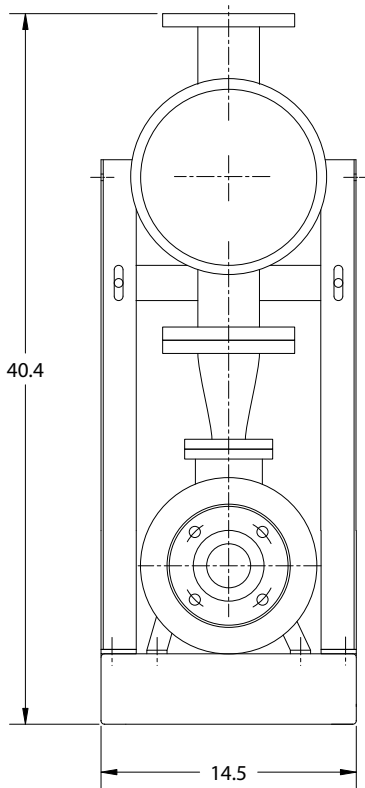
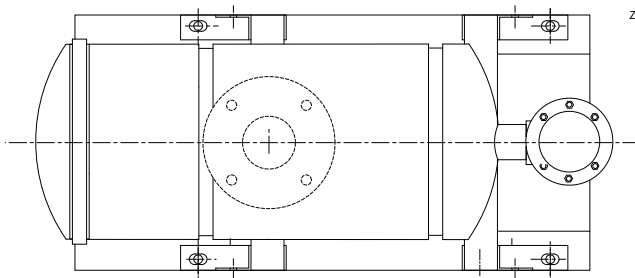
5

6

7

8

REVISIONS				
ZONE REV	DESCRIPTION	DATE	APPROVED	



FLOWRATE: MAX 250GPM
MAX. PRESS: 125PSI
PUMP POWER: 10HP
WEIGHT: 200LBS

<small>UNLESS OTHERWISE SPECIFIED DIMENSIONS ARE IN INCHES TOLERANCES DECIMALS ANGULAR .XX + .05 ± 0.5 DEG. .XXX + .01</small>		AUTOMATIC FILTERS, INC. 2672 S. La Cienega Blvd. Los Angeles, CA 90034 (310) 839-2828 FAX (310) 839-6878		
DRAWN DMITRIY POLISHCHUK		DATE 9-12-03		TITLE OBF3-I SKID UNIT
CHECKED		SIZE A		
DESIGN		DWG NO. AF-SKID-OBF3I		REV 0
SHEET OF				

E

D

C

B

A