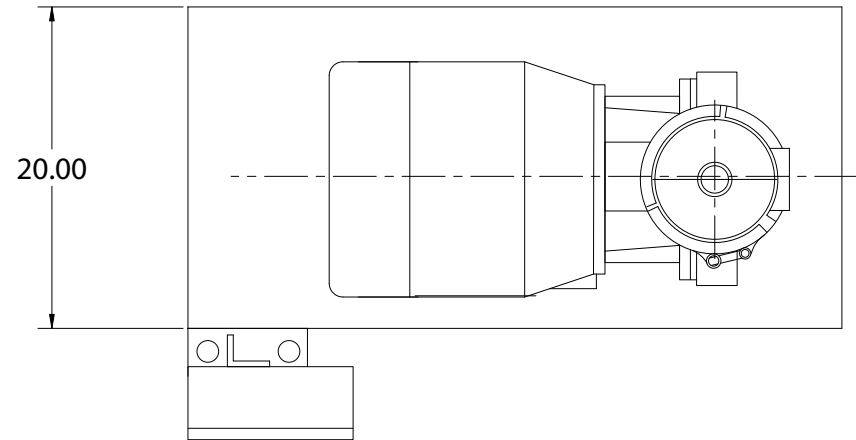
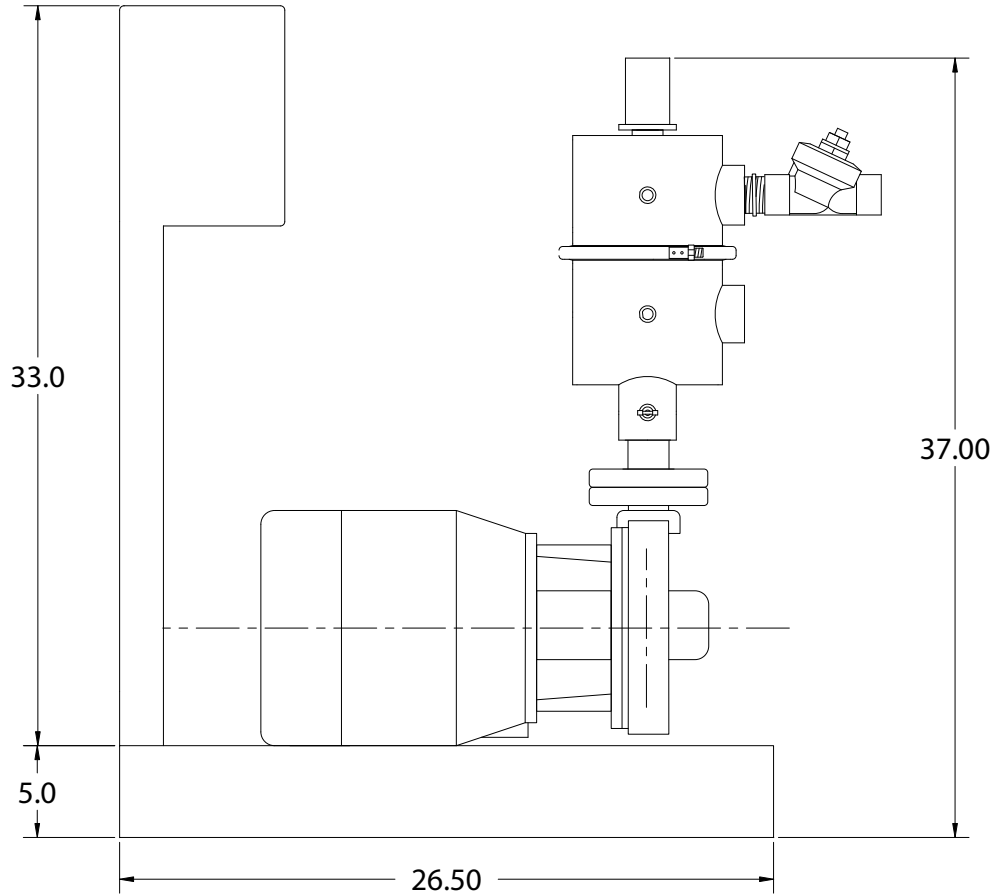


1 2 3 4 5 6 7 8

REVISIONS			
ZONE REV	DESCRIPTION	DATE	APPROVED



FLOWRATE: MAX 200GPM
 MAX. PRESS: 150PSI
 PUMP POWER: 5HP
 WEIGHT: 200LBS

UNLESS OTHERWISE SPECIFIED DIMENSIONS ARE IN INCHES TOLERANCES DECIMALS ANGULAR .XX + .05 ± 0.5 DEG. .XXX + .01		AUTOMATIC FILTERS, INC. 2672 S. LA CIENEGA BLVD. LOS ANGELES, CA 90034 (310) 839-2828 FAX (310) 839-6878	
DRAWN DMITRIY POLISHCHUK	DATE 9-19-03	TITLE MTF-3 FILTER w/ Skid Unit	
CHECKED		SIZE A	DWG NO. skid-mtf
DESIGN		SCALE 1:6	REV 0
		SHEET OF	

E
D
C
B
A