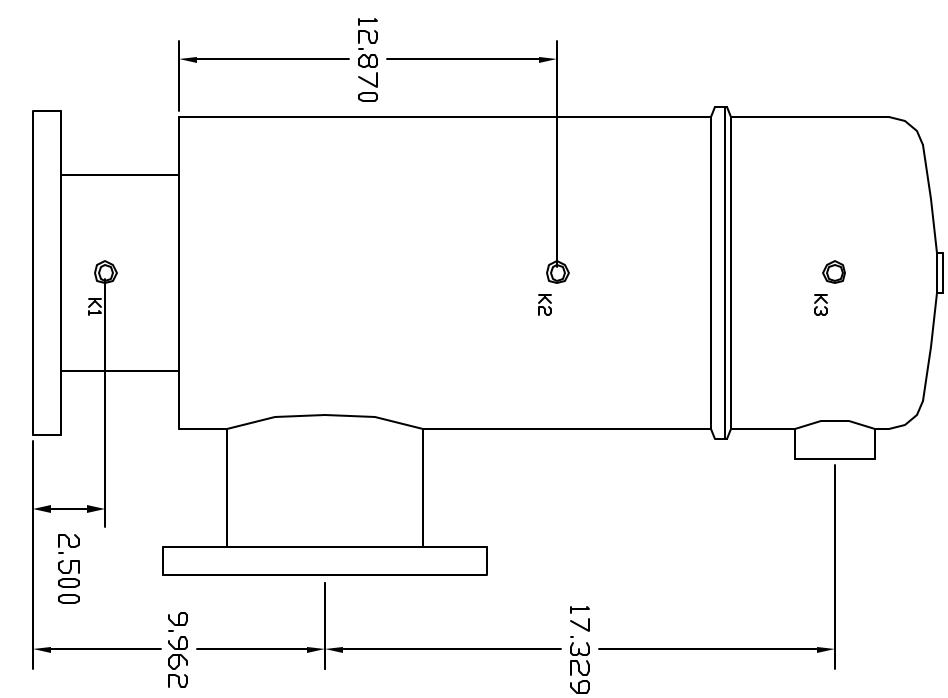
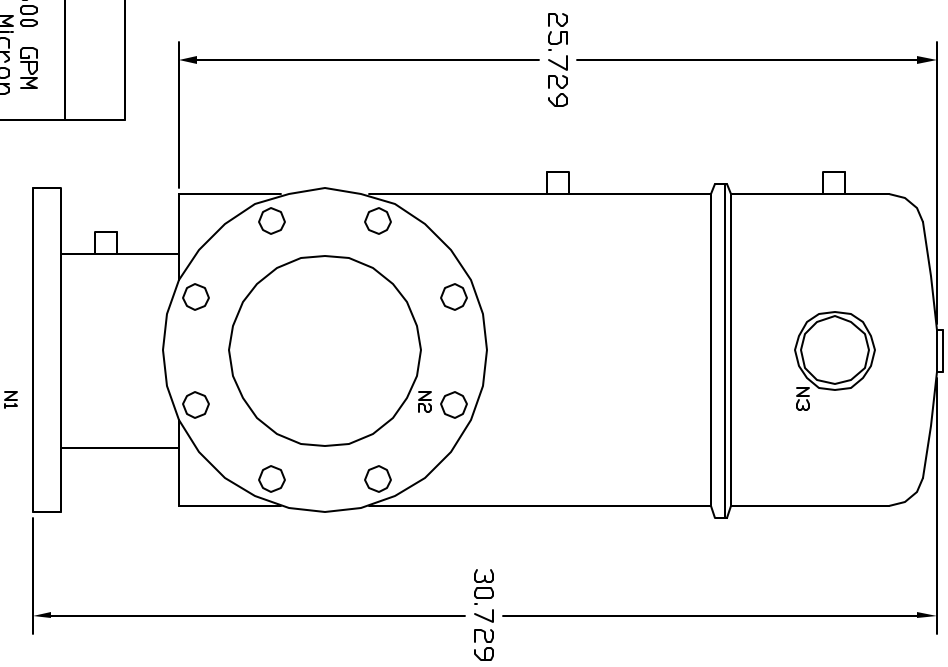


REVISIONS			DATE	APPROVED
ZONE	REV	DESCRIPTION		



TECHNICAL DATA

Flow Rate	Max 600 GPM
Screen Size	5-800 Micron
Screen Area	3.0 Sq.Ft.
Working Temp.	200 deg. F
Working Pressure	150 PSI
Weight	120 lbs.

NOZZLE	CONNECTION	TYPE OF CONNECTION	SIZE
K1	Hi. Press. Conn.	Threaded	1/4" NPT (x2)
K2	Low Press. Conn.	Threaded	1/4" NPT
K3	Flushoutlet Conn.	Threaded	1/4" NPT
N1	Inlet	Flanged	6" ASA
N2	Outlet	Flanged	6" ASA
N3	Flush Outlet	Threaded	2" NPT

UNLESS OTHERWISE SPECIFIED
DIMENSIONS ARE IN INCHES
DECIMALS TOLERANCES ANGULAR
XX ± .05 ± .05 DEGS
XXX ± .01

AUTOMATIC FILTERS, INC.
2672 S. LA CIENEGA BLVD.
LOS ANGELES, CA 90034
(310) 839-2828 FAX (310) 839-6878

MTF 6

DRAWN: Daniel Sternberg DATE: 6-8-06
CHECKED: _____
DESIGN: _____

SCALE: 3/5 SHEET 1 OF 1

SIZE: A DWG NO.: mtf 6 REV: 0