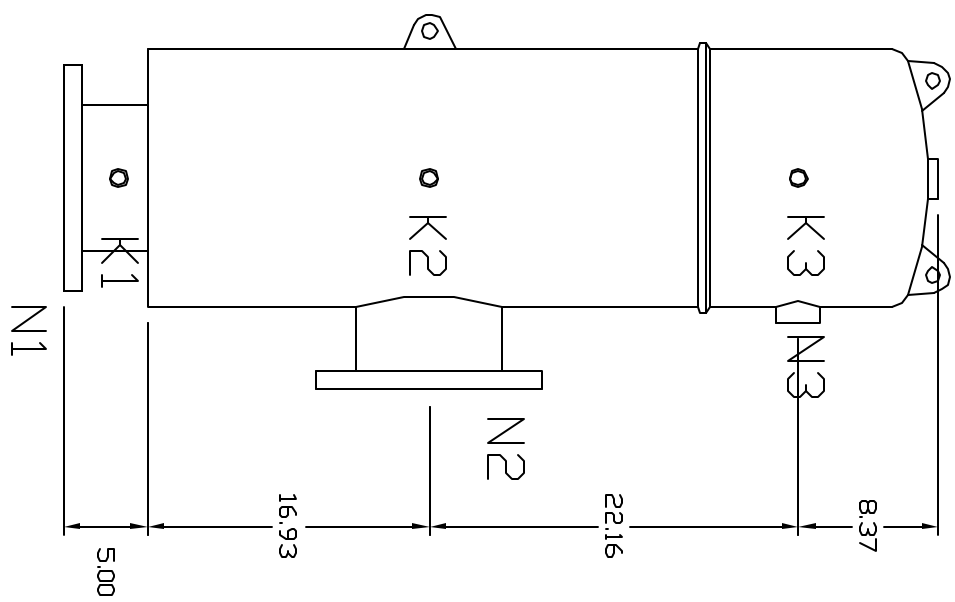
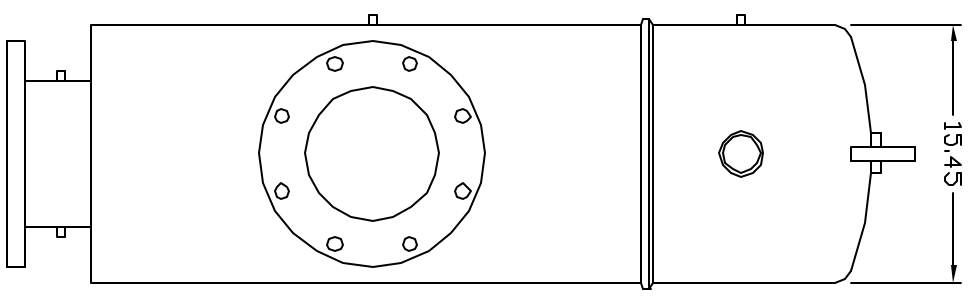


REVISIONS			DATE	APPROVED
ZONE	REV	DESCRIPTION		



TECHNICAL DATA

Flow Rate Max. 1500 GPM  
 Screen Size 75 Micron  
 Screen Area 7 sq.ft  
 Working Temp. 200 deg. F  
 Working Pressure 150 PSI  
 Empty Weight 350 lbs.  
 Full Weight 750 lbs.  
 Screen Length 36 inches

NOZZLE	CONNECTION	TYPE OF CONNECTION	SIZE	RATING
K1	Hi. Press. Conn.	Threaded	1/4" NPT(2)	150 lbs. F.F.
K2	Low Press. Conn.	Threaded	1/4" NPT(2)	150 lbs. F.F.
K3	Hydraulic Conn.	Threaded	1/4" NPT(2)	150 lbs. F.F.
N1	Inlet	Flanged	10" ANSI	
N2	Outlet	Flanged	10" ANSI	
N3	Flushoutlet	Threaded	2" NPT	

UNLESS OTHERWISE SPECIFIED  
 DIMENSIONS ARE IN INCHES  
 DECIMALS ANGULAR  
 XX ± .05 ± .05 DEGS  
 XXX ± .01

AUTOMATIC FILTERS, INC.  
 2672 S. LA CIENEGA BLVD.  
 LOS ANGELES, CA 90034  
 (310) 839-2828 FAX (310) 839-6878

DRAWN	DATE	TITLE	SIZE	DIVS	REV
Daniel Stenberg	3-20-98				
CHECKED		MTF 10	A	MTF10	0
DESIGN					
NOT TO SCALE		SHEET		OF	