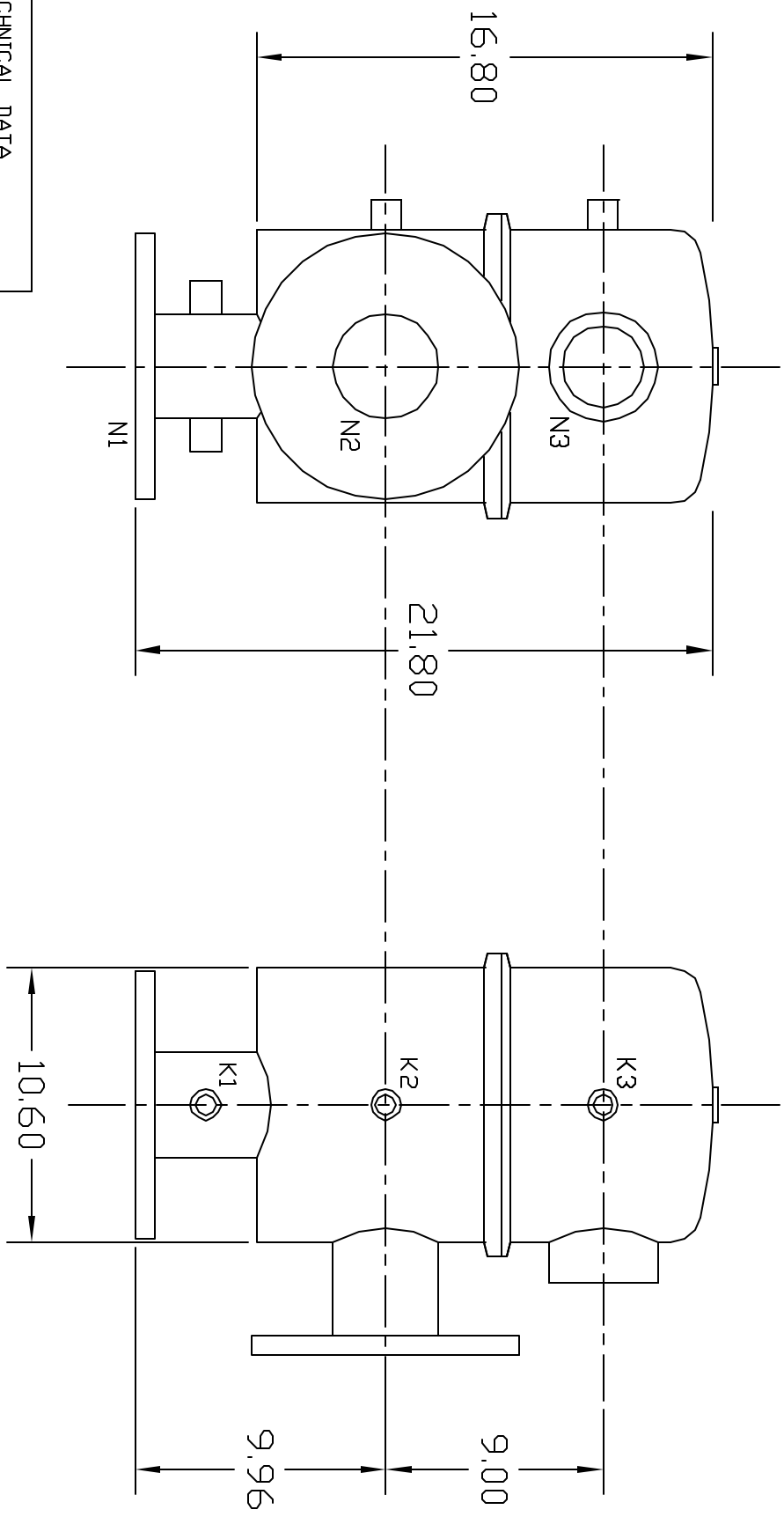


REVISIONS			DATE	APPROVED
ZONE	REV	DESCRIPTION		



**TECHNICAL DATA**

Flow Rate Max. 350 GPM  
 Screen Size 5-800 Micron  
 Screen Area 15 Sq.Ft.  
 Working Temp. 200 deg. F  
 Working Pressure 150 PSI  
 Weight 80 lbs.

NOZZLE	CONNECTION	TYPE OF CONNECTION	SIZE
K1	Hi. Press. Conn.	Threaded	1/4" NPT (x2)
K2	Low Press. Conn.	Threaded	1/4" NPT
K3	Flushoutlet Conn.	Threaded	1/4" NPT
N1	Inlet	Flanged	4" ASA
N2	Outlet	Flanged	4" ASA
N3	Flush Outlet	Threaded	2" NPT

UNLESS OTHERWISE SPECIFIED  
 DIMENSIONS ARE IN INCHES  
 DECIMALS TOLERANCES  
 ANGULAR ± 0.5 DEG  
 XXX ± .01

DRAWN Daniel Stenberg  
 CHECKED  
 DATE 6-8-06

**AUTOMATIC FILTERS, INC.**  
 2672 S. LA CIENEGA BLVD.  
 LOS ANGELES, CA 90034  
 (310) 839-2828 FAX (310) 839-6878

TITLE	MTF-4	
SIZE	DWG NO.	REV
A	Mtf-4	0
SCALE 3/8	SHEET 1 OF 1	