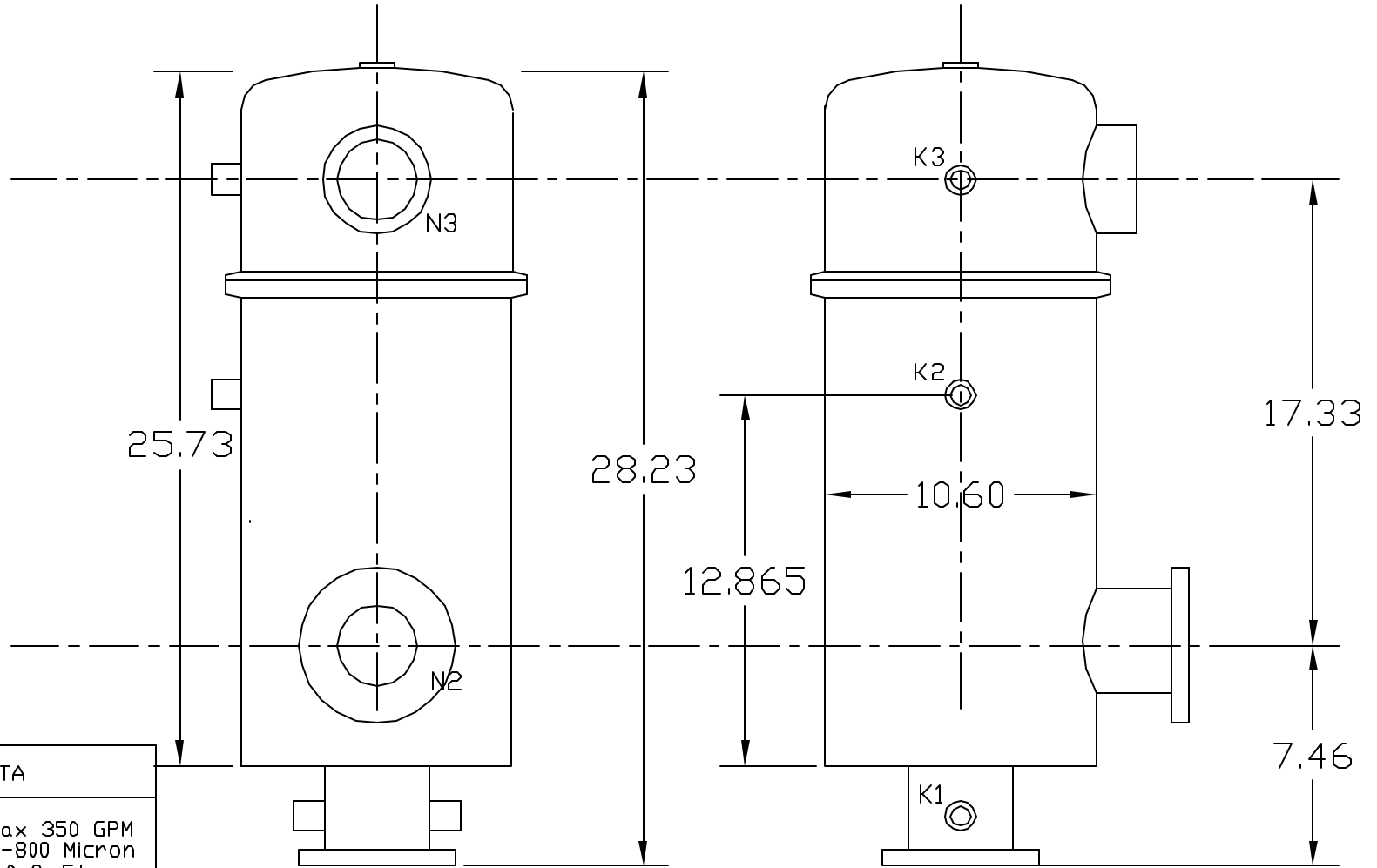


REVISIONS				
ZONE	REV	DESCRIPTION	DATE	APPROVED



TECHNICAL DATA	
Flow Rate	Max 350 GPM
Screen Size	5-800 Micron
Screen Area	3.0 Sq.Ft.
Working Temp.	200 deg. F
Working Pressure	150 PSI
Weight	100 lbs.

NOZZLE	CONNECTION	TYPE OF CONNECTION	SIZE
K1	Hi. Press. Conn.	Threaded (x2)	1/4" NPT
K2	Low Press. Conn.	Threaded	1/4" NPT
K3	Low Press. Conn.	Threaded	1/4" NPT
N1	Inlet	Threaded & Flanged	2" NPT/ASA
N2	Outlet	Threaded & Flanged	2" NPT/ASA
N3	Flush Outlet	Threaded	2" NPT

UNLESS OTHERWISE SPECIFIED
DIMENSIONS ARE IN INCHES
TOLERANCES
DECIMALS ANGULAR
XX ± .05 ± 0.5 DEG
XXX ± .01

AUTOMATIC FILTERS, INC.
2672 S. LA CIENEGA BLVD.
LOS ANGELES, CA 90034
(310) 839-2828 FAX (310) 839-6878

DRAWN	DATE
Daniel Stenberg	10-4-06
CHECKED	
DESIGN	

TITLE		
MTF 2-XL		
SIZE	DWG NO.	REV
A	mtf2-xl	1
NTS		SHEET 1 OF 1