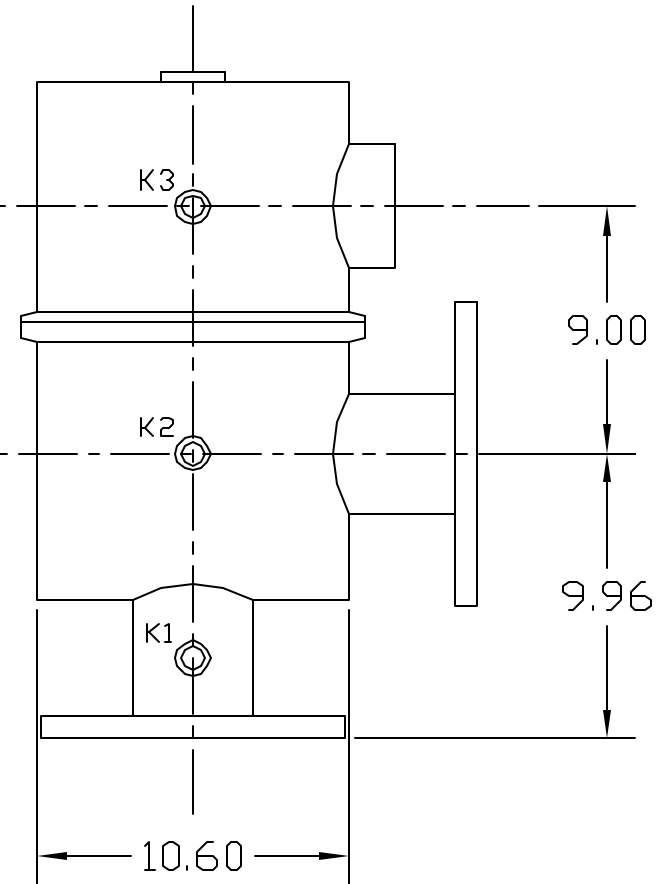
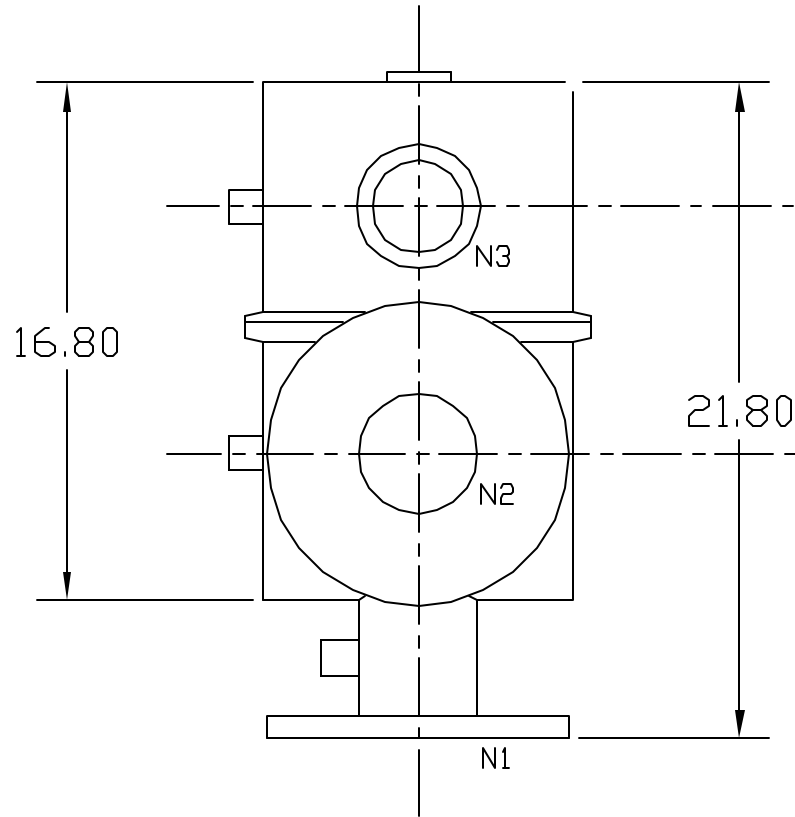


REVISIONS				
ZONE	REV	DESCRIPTION	DATE	APPROVED



TECHNICAL DATA	
Flow Rate	Max. 350 GPM
Screen Size	5-800 Micron
Screen Area	1.5 Sq.Ft.
Working Temp.	200 deg. F
Working Pressure	150 PSI
Weight	80 lbs.

NOZZLE	CONNECTION	TYPE OF CONNECTION	SIZE
K1	Hi. Press. Conn.	Threaded	1/4" NPT
K2	Low Press. Conn.	Threaded	1/4" NPT
K3	Flushoutlet Conn.	Threaded	1/4" NPT
N1	Inlet	Flanged	4" ASA
N2	Outlet	Flanged	4" ASA
N3	Flush Outlet	Threaded	2" NPT

UNLESS OTHERWISE SPECIFIED DIMENSIONS ARE IN INCHES TOLERANCES DECIMALS ANGULAR XX ± .05 ± 0.5 DEG XXX ± .01		AUTOMATIC FILTERS, INC. 2672 S. LA CIENEGA BLVD. LOS ANGELES, CA 90034 (310) 839-2828 FAX (310) 839-6878	
DRAWN Daniel Stenberg	DATE 6-8-06	TITLE MTF-4	
CHECKED		SIZE A	DWG NO. mtf-4
DESIGN		REV 0	
SCALE 1/6		SHEET 1 OF 1	