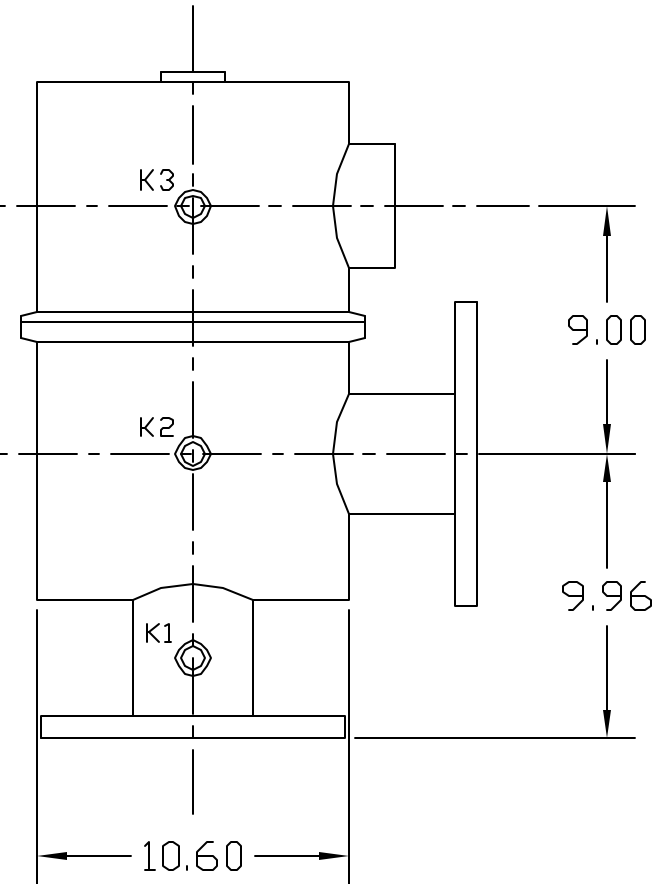
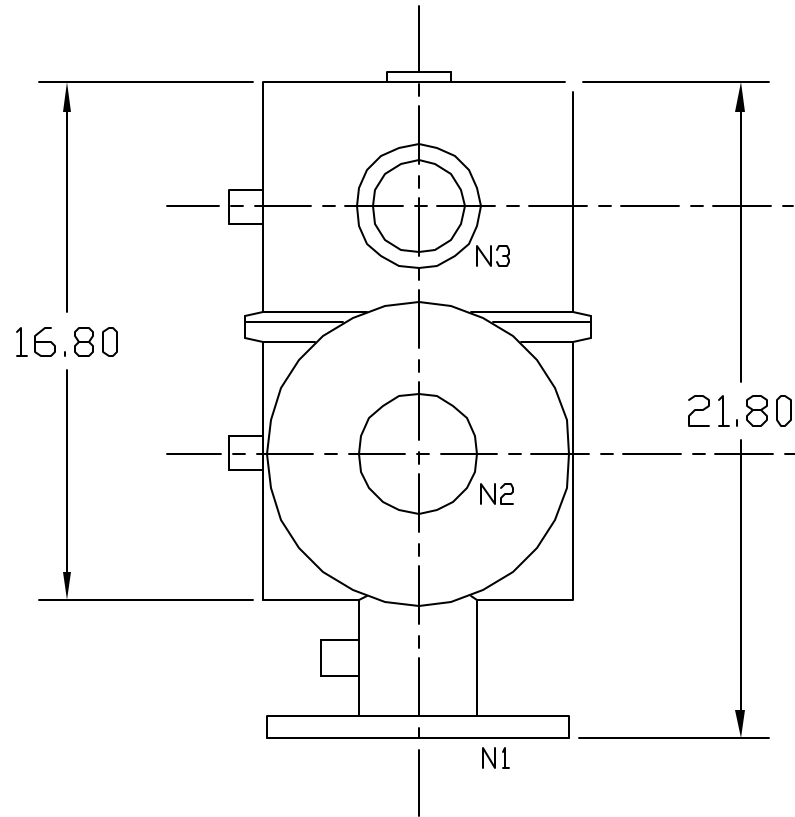


REVISIONS				
ZONE	REV	DESCRIPTION	DATE	APPROVED



TECHNICAL DATA	
Flow Rate	Max. 350 GPM
Screen Size	5-800 Micron
Screen Area	1.5 Sq.Ft.
Working Temp.	200 deg. F
Working Pressure	150 PSI
Weight	75 lbs.

NOZZLE	CONNECTION	TYPE OF CONNECTION	SIZE
K1	Hi. Press. Conn.	Threaded	1/4" NPT
K2	Low Press. Conn.	Threaded	1/4" NPT
K3	Flushoutlet Conn.	Threaded	1/4" NPT
N1	Inlet	Flanged	3" ASA
N2	Outlet	Flanged	3" ASA
N3	Flush Outlet	Threaded	2" NPT

UNLESS OTHERWISE SPECIFIED
DIMENSIONS ARE IN INCHES
TOLERANCES
DECIMALS ANGULAR
XX ± .05 ± 0.5 DEG
XXX ± .01

AUTOMATIC FILTERS, INC.
2672 S. LA CIENEGA BLVD.
LOS ANGELES, CA 90034
(310) 839-2828 FAX (310) 839-6878

DRAWN	DATE
Daniel Stenberg	6-8-06
CHECKED	
DESIGN	

TITLE		
MTF-3		
SIZE	DWG NO.	REV
A	mtf-3	0
SCALE 1/6		SHEET 1 OF 1