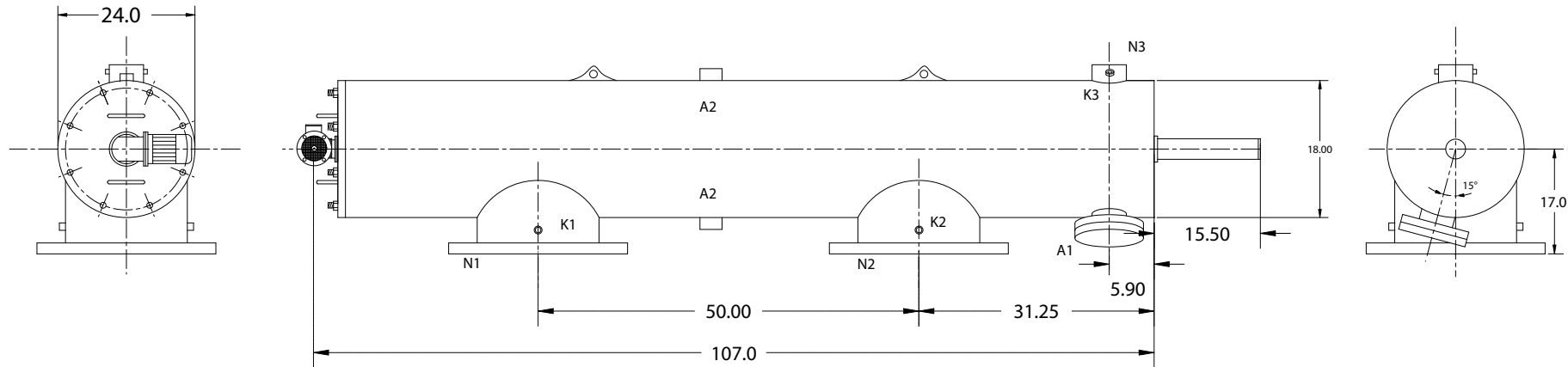


1 2 3 4 5 6 7 8

REVISIONS				
ZONE	REV	DESCRIPTION	DATE	APPROVED



TECHNICAL DATA

Flow Rate	Max. 3965 GPM
Screen Size	___ Micron
Screen Area	16.0 sq.ft.
Working Temp.	200 deg. F
Working Pressure	150 PSI
Empty Weight	1000 lbs.
Full Weight	2650 lbs.

NOZZLE	CONNECTION	TYPE OF CONNECTION	SIZE	RATING
A1	Service Port	Flanged	3.5" ASA	150 lbs. F.F. w/Blind
A2	Pressure Release	Threaded	1" NPT (2)	
K1	Hi. Press. Conn.	Threaded	1/4" NPT (2)	
K2	Low Press. Conn.	Threaded	1/4" NPT (2)	
K3	Hydraulic Conn.	Threaded	1/4" NPT(2)	
N1	Inlet	Flanged	14" ASA	150 lbs. F.F.
N2	Outlet	Flanged	14" ASA	150 lbs. F.F.
N3	Flushoutlet	Threaded	2" NPT	

UNLESS OTHERWISE SPECIFIED
DIMENSIONS ARE IN INCHES
TOLERANCES
DECIMALS ANGULAR
.XX + .05 ± 0.5 DEG.
.XXX + .01

AUTOMATIC FILTERS, INC.
2672 S. LA CIENEGA BLVD.
LOS ANGELES, CA 90034
(310) 839-2828 FAX (310) 839-6878

DRAWN	DATE	TITLE		
Daniel Stenberg	6-20-05	LPF14-LP		
CHECKED		SIZE	DWG NO.	REV
		A	LPF16-LP	0
DESIGN		SCALE 1:20	SHEET OF	