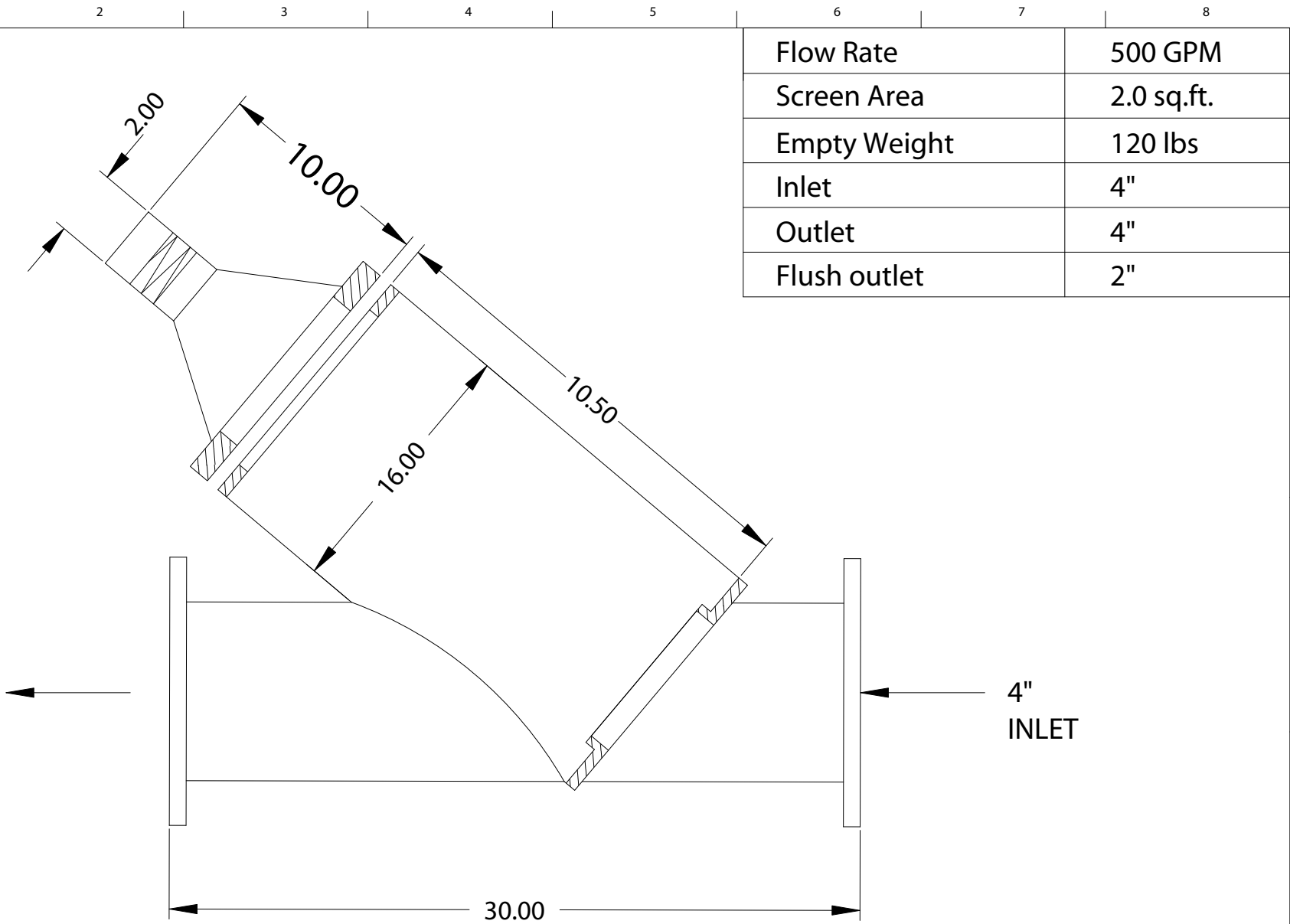


*DRAWING NOT TO SCALE



Flow Rate	500 GPM
Screen Area	2.0 sq.ft.
Empty Weight	120 lbs
Inlet	4"
Outlet	4"
Flush outlet	2"

4"
OUTLET

4"
INLET

30.00

UNLESS OTHERWISE SPECIFIED DIMENSIONS ARE IN INCHES TOLERANCES DECIMALS ANGULAR .XX + .05 ± 0.5 DEG. .XXX + .01		AUTOMATIC FILTERS, INC.	
DRAWN DMITRIY POLISHCHUK		DATE 11-10-04	
CHECKED		TITLE CSF-4	
DESIGN		SIZE A	DWG NO. CSF-4
		REV 0	SHEET OF