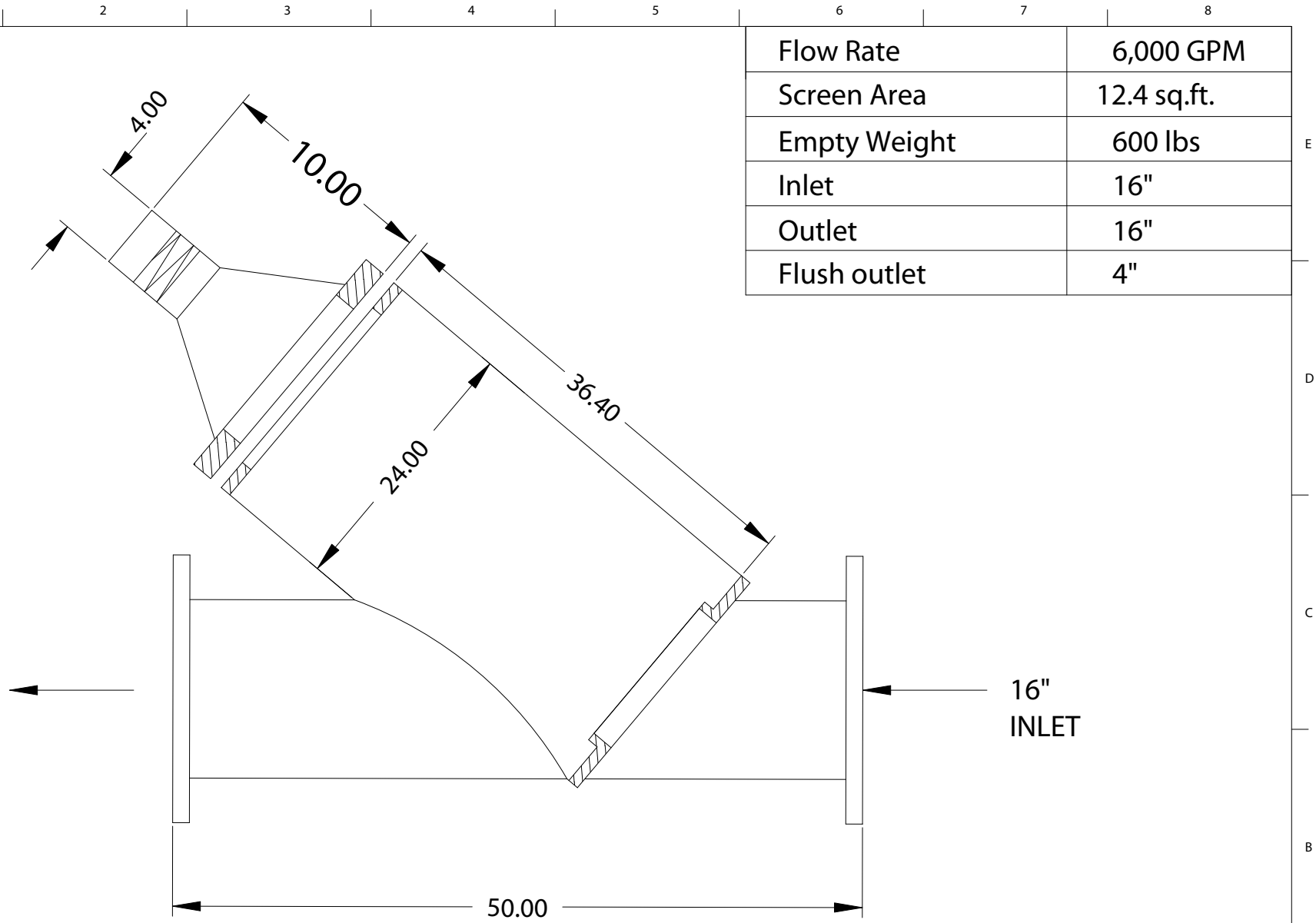


*DRAWING NOT TO SCALE



Flow Rate	6,000 GPM
Screen Area	12.4 sq.ft.
Empty Weight	600 lbs
Inlet	16"
Outlet	16"
Flush outlet	4"

16"
OUTLET

16"
INLET

UNLESS OTHERWISE SPECIFIED DIMENSIONS ARE IN INCHES TOLERANCES DECIMALS ANGULAR .XX + .05 ± 0.5 DEG. .XXX + .01		AUTOMATIC FILTERS, INC.		
DRAWN DMITRIY POLISHCHUK		TITLE CSF-16		
CHECKED		DATE 11-10-04	SIZE A	REV 0
DESIGN		DWG NO. CSF-16		
		SHEET OF		