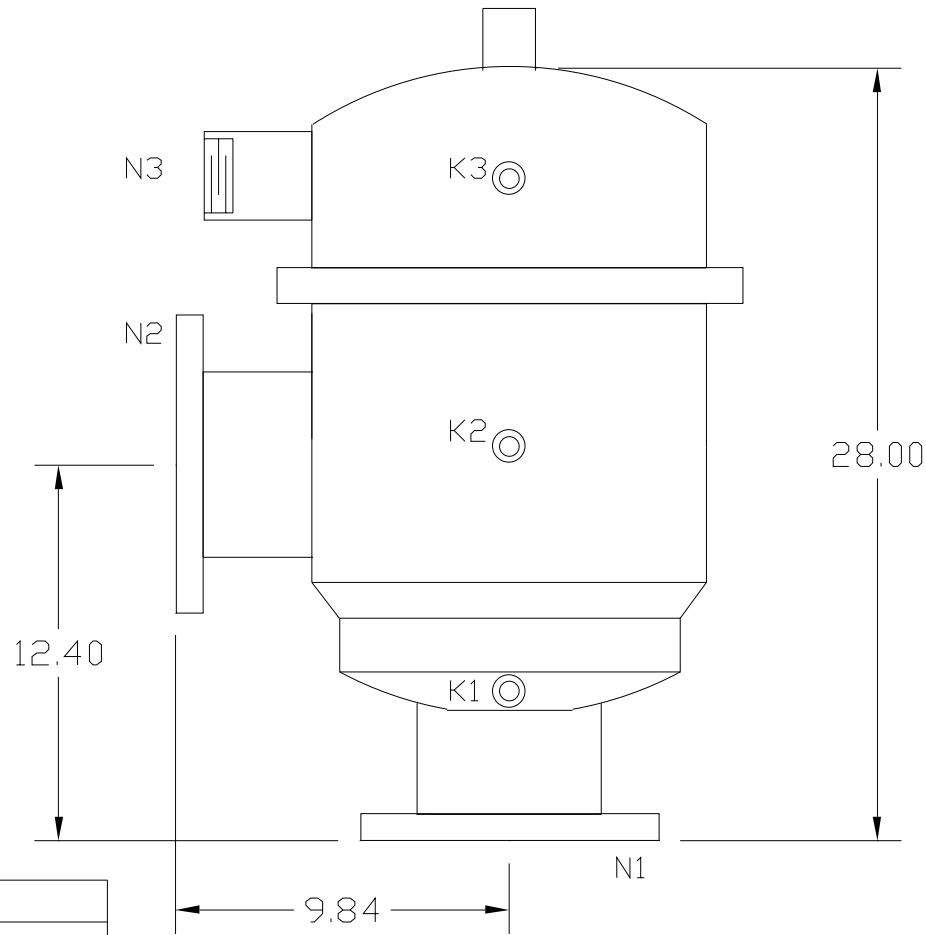


REVISIONS				
ZONE	REV	DESCRIPTION	DATE	APPROVED



TECHNICAL DATA

Flow Rate	400 GPM
Screen Size	___ Micron
Screen Area	1.7 Sq.Ft.
Working Temp.	150 deg. F
Working Pressure	150 PSI
Empty Weight	150 lbs
Full Weight	190 lbs

NOZZLE	CONNECTION	TYPE OF CONNECTION	SIZE
K1	Hi. Pres. Conn.	Threaded	1/4" NPT
K2	Low Pres. Conn.	Threaded	1/4" NPT
K3	Hi. Pres. Conn.	Threaded	1/4" NPT
N1	Inlet	Threaded	4" FLANGED
N2	Outlet	Threaded	4" FLANGED
N3	Flushoutlet	Threaded	2" NPT

UNLESS OTHERWISE SPECIFIED  
DIMENSIONS ARE IN INCHES  
TOLERANCES

DECIMALS	ANGULAR
.XX ± .05	± 0.5 DEG.
.XXX ± .01	

DRAWN	DATE
JAE H. JI	1/3/02
CHECKED	
DESIGN	

**AUTOMATIC FILTERS, INC.**

TITLE		
BELL 4-L Filter		
SIZE	DWG NO.	REV
A	BELL4L	0
SHEET		OF