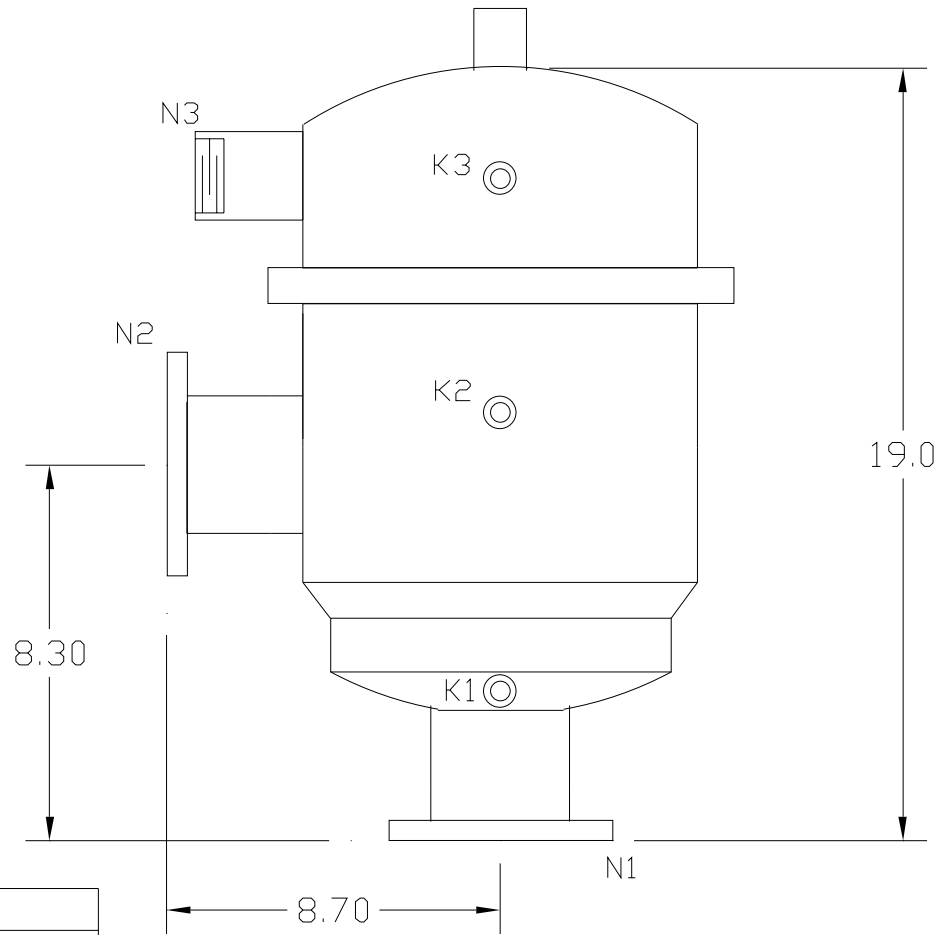


1 2 3 4 5 6 7 8

| REVISIONS |     |             |      |          |
|-----------|-----|-------------|------|----------|
| ZONE      | REV | DESCRIPTION | DATE | APPROVED |



TECHNICAL DATA

|                  |            |
|------------------|------------|
| Flow Rate        | 200 GPM    |
| Screen Size      | --- Micron |
| Screen Area      | 0.8 Sq.Ft. |
| Working Temp.    | 150 deg. F |
| Working Pressure | 150 PSI    |
| Empty Weight     | 70 lbs     |
| Full Weight      | 95 lbs     |

| NOZZLE | CONNECTION      | TYPE OF CONNECTION | SIZE       |
|--------|-----------------|--------------------|------------|
| K1     | Hi. Pres. Conn. | Threaded           | 1/4" NPT   |
| K2     | Low Pres. Conn. | Threaded           | 1/4" NPT   |
| K3     | Hi. Pres. Conn. | Threaded           | 1/4" NPT   |
| N1     | Inlet           | Threaded           | 3" FLANGED |
| N2     | Outlet          | Threaded           | 3" FLANGED |
| N3     | Flushoutlet     | Threaded           | 1" NPT     |

UNLESS OTHERWISE SPECIFIED  
DIMENSIONS ARE IN INCHES  
TOLERANCES

|            |            |
|------------|------------|
| DECIMALS   | ANGULAR    |
| .XX ± .05  | ± 0.5 DEG. |
| .XXX ± .01 |            |

|           |        |
|-----------|--------|
| DRAWN     | DATE   |
| JAE H. JI | 1/3/02 |
| CHECKED   |        |
| DESIGN    |        |

**AUTOMATIC FILTERS, INC.**

|                   |         |     |
|-------------------|---------|-----|
| TITLE             |         |     |
| BELL3-L<br>FILTER |         |     |
| SIZE              | DWG NO. | REV |
| A                 | BELL3-L | 0   |
| SHEET             |         | OF  |